



FEDERATION INTERNATIONALE DE L'AUTOMOBILE

Groupe / Group

N

Homologation N°

N-5758

Extension N°

01/01 VO

FICHE D'EXTENSION D'HOMOLOGATION HOMOLOGATION EXTENSION FORM

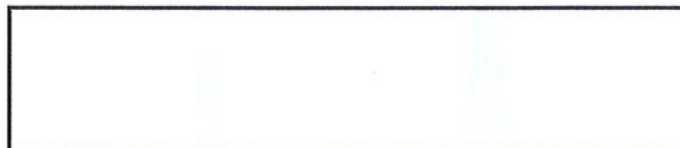
JAF 公認番号 **FN-089 VO-1/1**

JAF 発効日 **2015年2月1日**

Sauf indication contraire, toutes les dimensions sont indiquées en mm
Unless otherwise stated, all dimensions are specified in mm

Homologation valable à partir du
Homologation valid as from

01 FEV. 2015



ER Erratum / Erratum

VF Variante de fourniture / Supply variant

ET Evolution du type / Evolution of the type

VO Variante option / Option variant

VP Variante de Production / Production variant

101. CONSTRUCTEUR DU VEHICULE / MANUFACTURER OF THE VEHICLE

FUJI HEAVY INDUSTRIES.LTD (SUBARU)

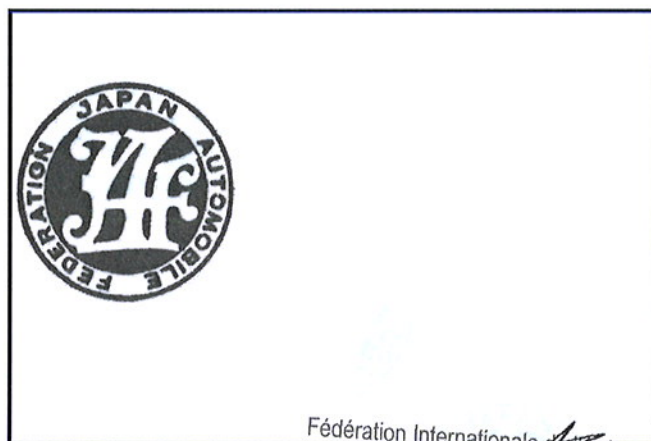
102. MODÈLE ET TYPE DE VEHICULE / MODEL AND TYPE OF THE VEHICLE

a) Modèle et type
Model and type

WRX STI 2015

Page or Extension	Article	Description	Photo n°
	3	ENGINE SUPPORT Engine supports and brackets, dismounted Engine support dimensions when dismounted Position of the engine is identical to the original	<u>1402301</u> <u>1402901</u>

1402301



Fédération Internationale de l'Automobile
Chemin de Binlonnet, 2
CH-1214 GENEVE 15
Tél.: 41 22 544 44 00
Fax Sport: 41 22 544 44 00

Marque **FUJI(SUBARU)**
Make

Modèle **WRX STI 2015**
Model

Homologation N°

N-5758

Extension N°

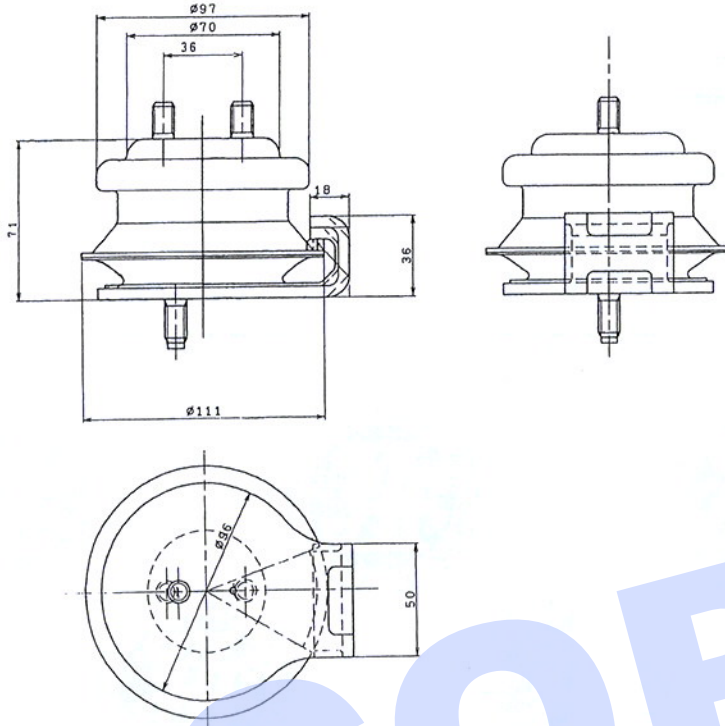
01/01 VO

JAF 公認番号 **FN-089 VO-1/1**

DWG 1402901)

Engine support dimensions when dismounted

tolerance $\pm 2\%$



Marque
Make **FUJI(SUBARU)**

Modèle
Model **WRX STI 2015**

Homologation N°
N-5758

Extension N°
01/01 VO

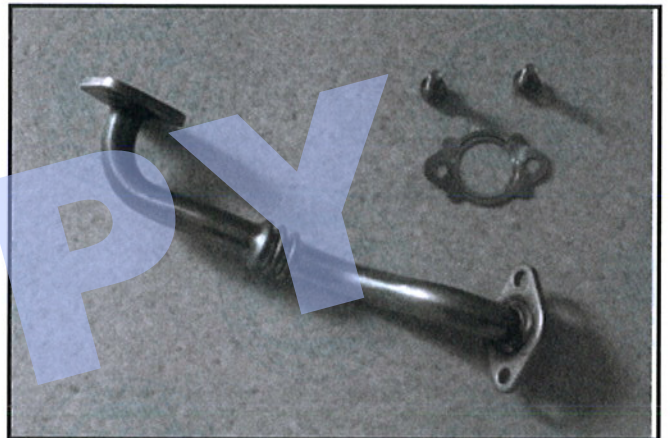
JAF 公認番号 **FN-089 VO-1/1**

Page or Extension	Article	Description	Photo n°
	3	<p>SECONDARY AIR SYSTEM</p> <p>Following parts are removable</p> <p>Secondary air valve and brackets, dismantled</p> <p>Tube LH side, dismantled</p> <p>Combination valve and tube RH side, dismantled</p> <p>Additional parts for the engine, when removing Photo 1402302, 1402303, 1402304</p> <p>No modification will be made on the cylinder head when removing secondary air system except the parts shown on photo 1402305 for closing.</p>	<p><u>1402302</u></p> <p><u>1402303</u></p> <p><u>1402304</u></p> <p><u>1402305</u></p>

1402302)



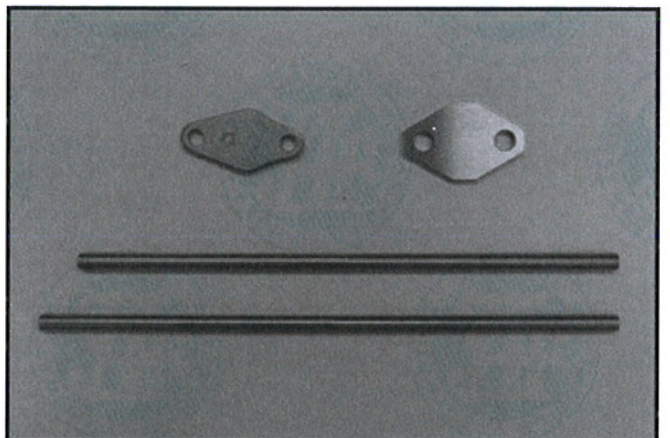
1402303)



1402304)



1402305)



Marque **FUJI(SUBARU)**
 Make

Modèle **WRX STI 2015**
 Model

Homologation N°

N-5758

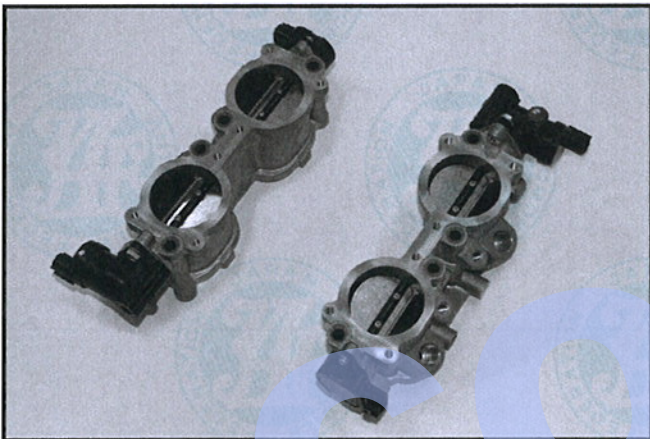
Extension N°

01/01 VO

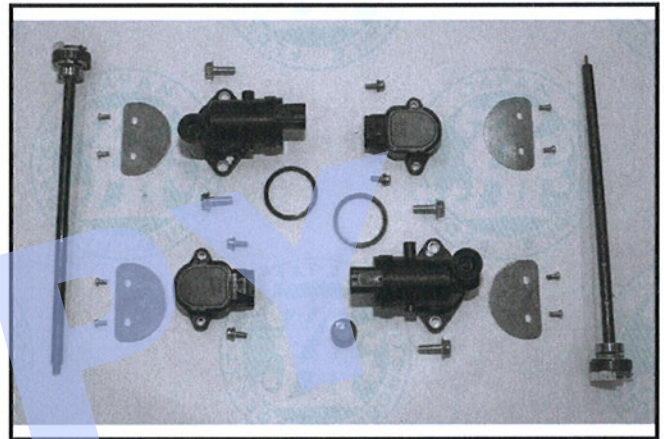
JAF 公認番号 **FN-089 VO-1/1**

Page or Extension	Article	Description	Photo n°
	3	TUMBLE GENERATOR VALVE SYSTEM Tumble generator valve system assembly, dismantled Removable parts, disassembled Removalbe parts, disassembled original housing Additional parts when removing Photo 1403301, 1403302	<u>1402306</u> <u>1403301</u> <u>1403302</u> <u>1402307</u>

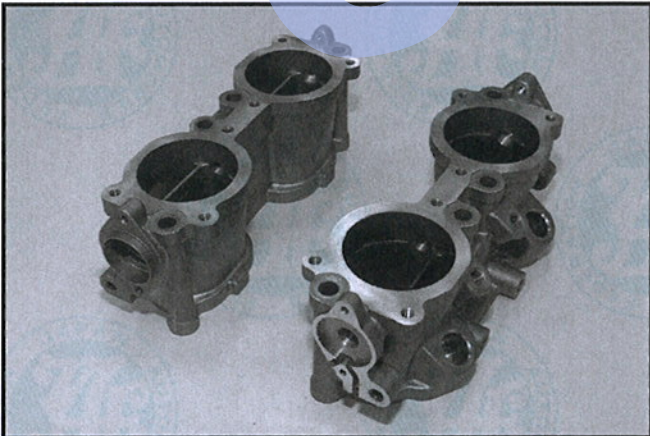
1402306)



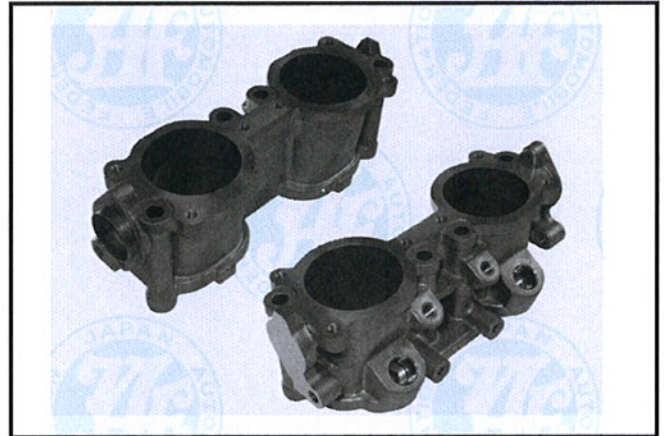
1403301)



1403302)



1402307)



Marque
Make **FUJI(SUBARU)**

Modèle
Model **WRX STI 2015**

Homologation N°

N-5758

Extension N°

01/01 VO

JAF 公認番号 **FN-089 VO-1/1**

Page or Extension	Article	Description	Photo n°
	331	COOLING SYSTEM Radiator hose kit "Part number 45162ZR000"	<u>1402308</u>

1402308)



COPY



Marque
Make **FUJI(SUBARU)**

Modèle
Model **WRX STI 2015**

Homologation N°

N-5758

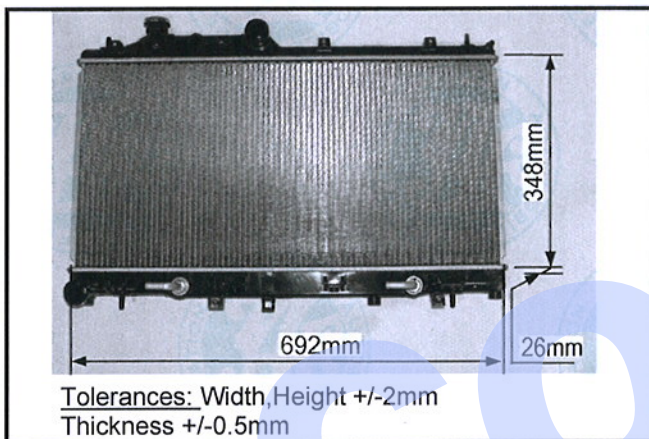
Extension N°

01/01 VO

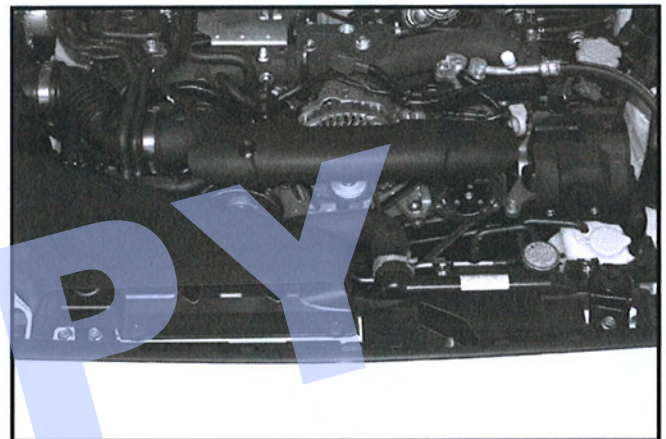
JAF 公認番号 **FN-089 VO-1/1**

Page or Extension	Article	Description	Photo n°
	331	COOLING SYSTEM	
		Radiator, dismounted "Part number 45119SC100"	<u>1402309</u>
		Radiator, mounted	<u>1402310</u>
		Engine oil cooler kit, dismounted "Part number 45511ZR000"	<u>1402311</u>
		Engine oil cooler kit, mounted	<u>1402312</u>

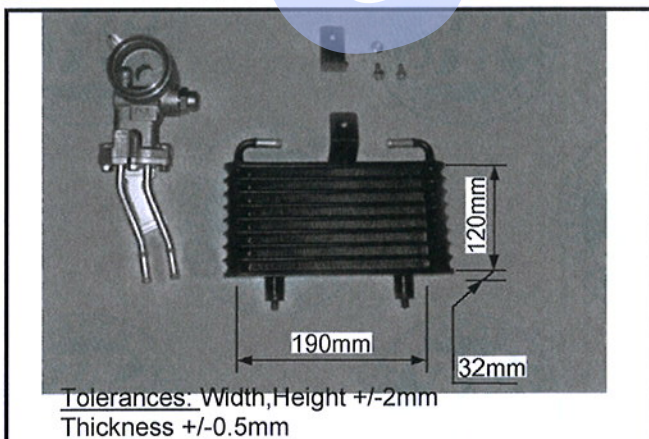
1402309)



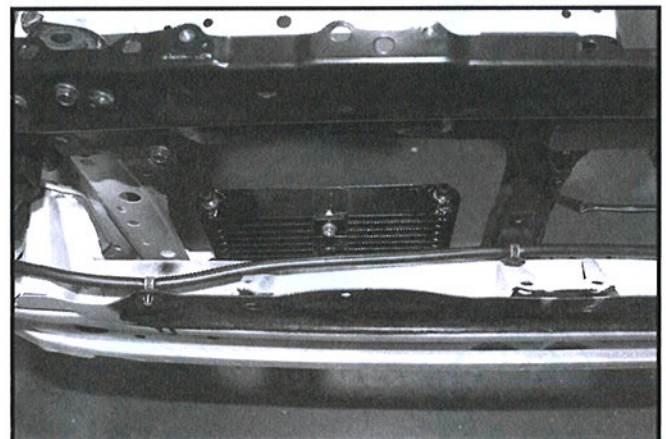
1402310)



1402311)



1402312)



Marque **FUJI(SUBARU)**
 Make

Modèle **WRX STI 2015**
 Model

Homologation N°
N-5758

Extension N°
01/01 VO

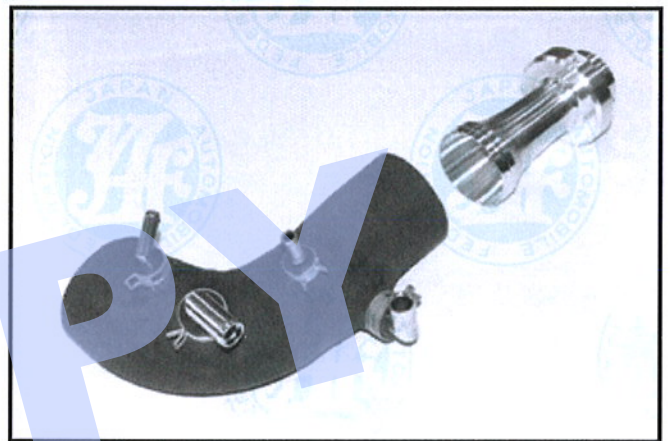
JAF 公認番号 **FN-089 VO-1/1**

Page or Extension	Article	Description	Photo n°
	327	RESTRICTOR Restrictor & duct assembly, type 1N Disassembled parts, type 1N Elbow turbo charger kit : Part number "14459ZR010" Elbow turbo charger : Part number "14459F0J15" Restrictor : Part number "10020ZR010"	<u>1402313</u> <u>1402314</u> <u>1402902</u>

1402313)



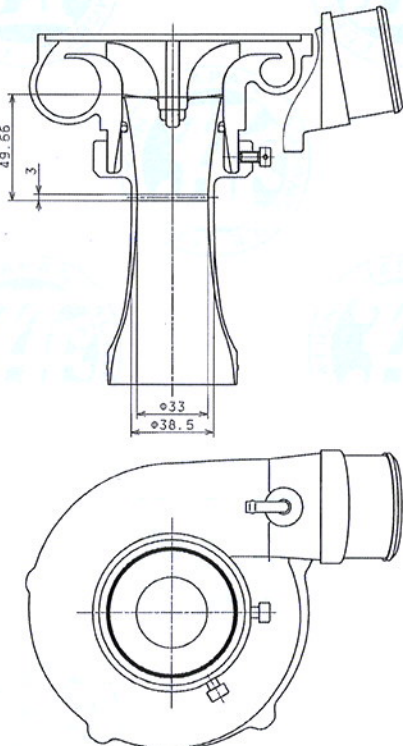
1402314)



DWG 1402902)

Drawing with restrictor

tolerance on dimensions: ±0.3 mm expect for dimensions given by article 254



Fédération Internationale de l'Automobile
 Chemin de Blandonnet, 2
 CH-1215 GENEVE 15
 Tél.: 41 22 544 44 00

Marque
Make **FUJI(SUBARU)**

Modèle
Model **WRX STI 2015**

Homologation N°

N-5758

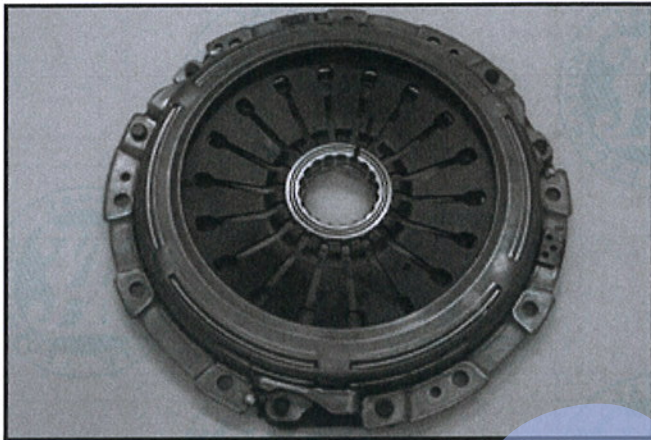
Extension N°

01/01 VO

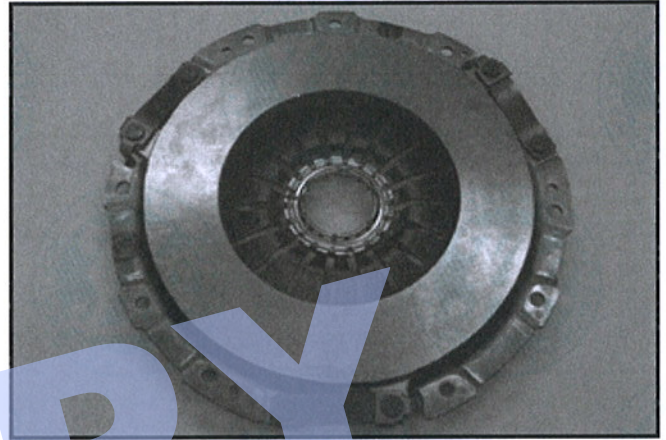
JAF 公認番号 **FN-089 VO-1/1**

Page or Extension	Article	Description	Photo n°
	602	CLUTCH Clutch outside view Clutch inside view	<u>1402315</u> <u>1402316</u>

1402315)

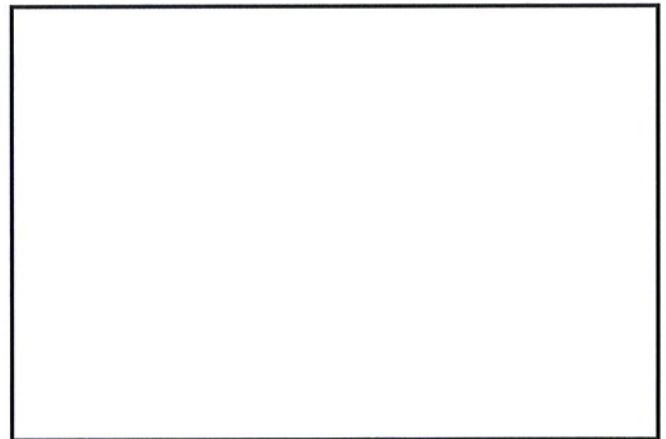
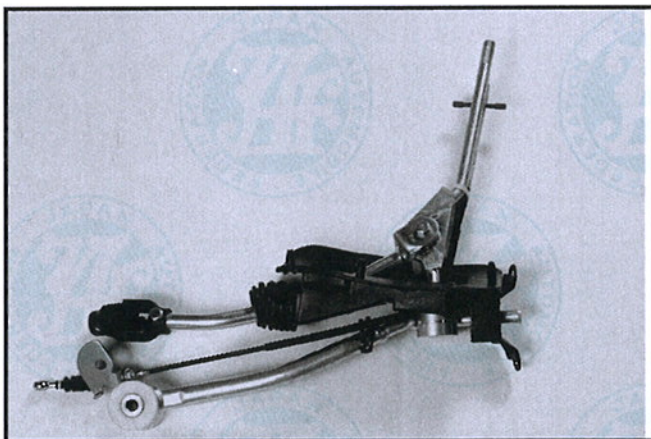


1402316)



Page or Extension	Article	Description	Photo n°
	603 d)	GEAR BOX Type and location of control Gear shift link	<u>1402317</u>

1402317)



Marque
Make **FUJI(SUBARU)**

Modèle
Model **WRX STI 2015**

Homologation N°

N-5758

Extension N°

01/01 VO

JAF 公認番号 **FN-089 VO-1/1**

Page or Extension	Article	Description	Photo n°
	603 e)	GEAR BOX Ratios Teeth Ratios 1 12/40 3.333 2 13/31 2.385 3 16/28 1.750 4 18/24 1.333 5 25/26 1.040 R (12/26)/(26/41) 3.417	

Page or Extension	Article	Description	Photo n°
	604	TRANSFER Ratios : 1.000 Teeth : 31/31	

Page or Extension	Article	Description	Photo n°
	605	FINAL DRIVE Teeth Ratios Front 11/39 3.545	



Marque
Make **FUJI(SUBARU)**

Modèle
Model **WRX STI 2015**

Homologation N°
N-5758

Extension N°
01/01 VO

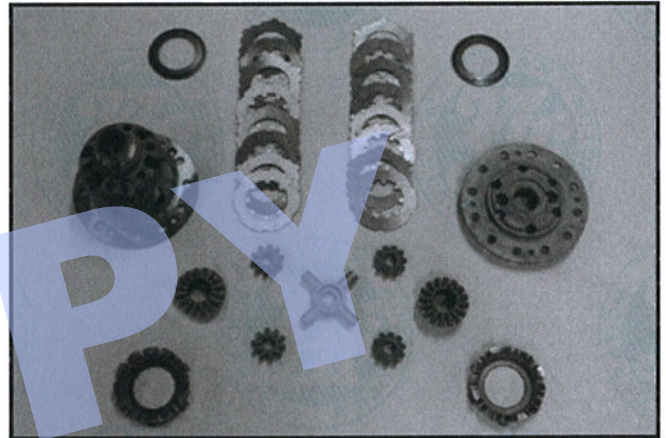
JAF 公認番号 **FN-089 VO-1/1**

Page or Extension	Article	Description	Photo n°
	605	Type of differential limitation	
	d)	Front LSD, dismounted	1402318
		Front LSD, disassembled (Number of friction plates = 8 / Number of friction discs = 8)	1402319
		Front LSD cam angle	1402903
		Rear LSD, dismounted	1402320
		Rear LSD, disassembled (Number of friction plates = 12 / Number of friction discs = 12)	1402321
		Rear LSD cam angle	1402904

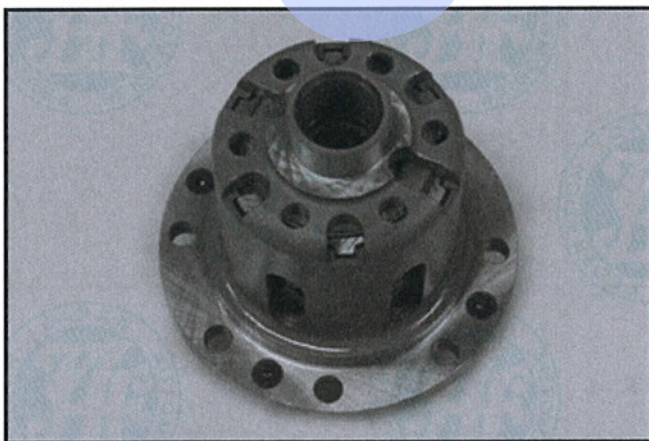
[1402318](#)



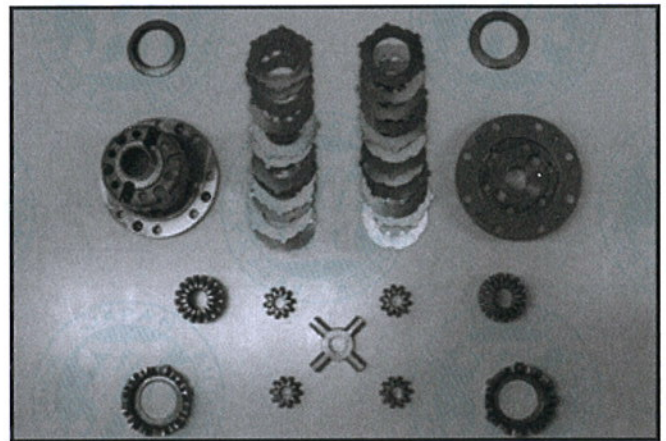
[1402319](#)



[1402320](#)



[1402321](#)



Marque **FUJI(SUBARU)**
Make

Modèle **WRX STI 2015**
Model

Homologation N°

N-5758

Extension N°

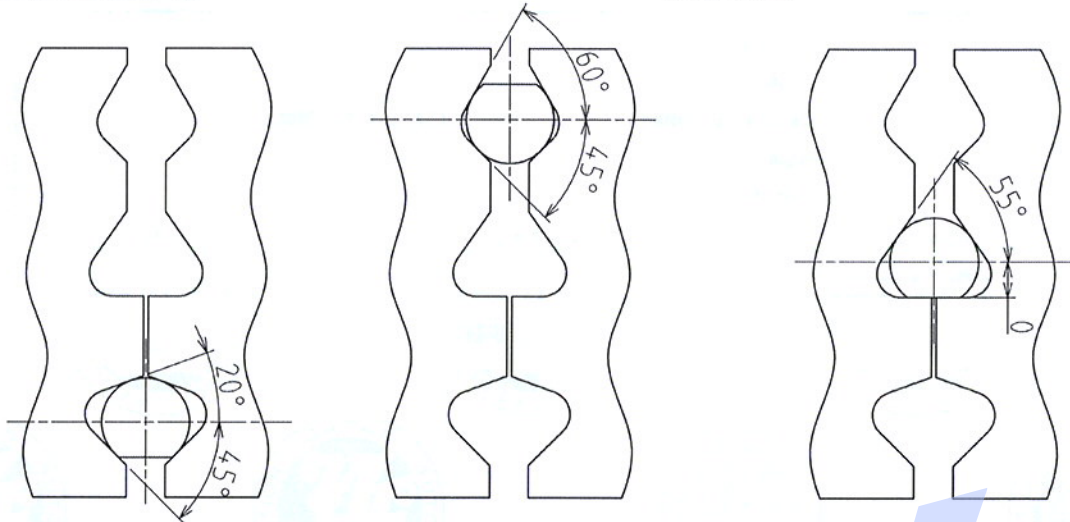
01/01 VO

JAF 公認番号 **FN-089 VO-1/1**

DWG 1402901) 1402902)

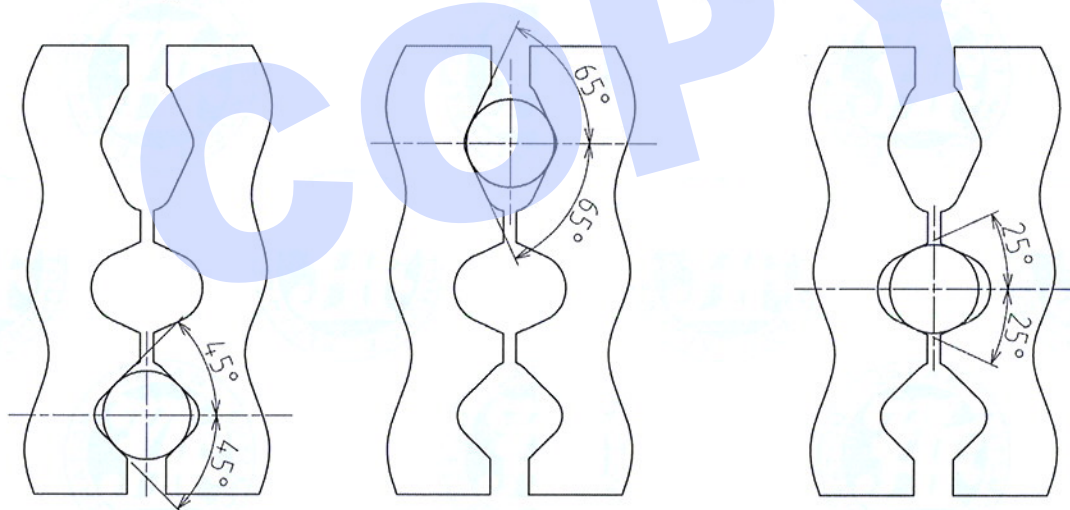
0911902) Front LSD cam angle

tolerance $\pm 1^\circ$



0911903) Rear LSD cam angle

tolerance $\pm 1^\circ$



Marque
Make **FUJI(SUBARU)**

Modèle
Model **WRX STI 2015**

Homologation N°

N-5758

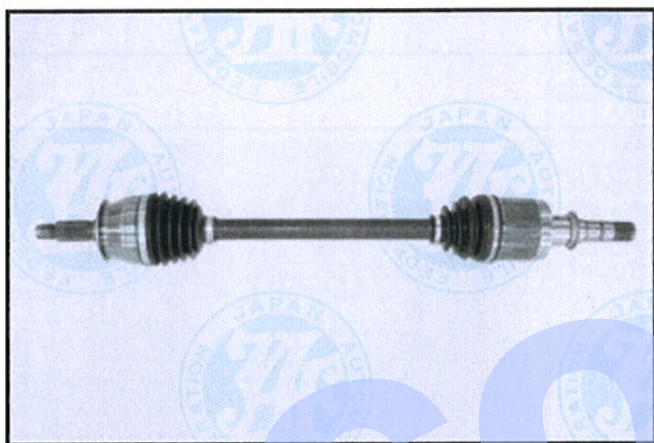
Extension N°

01/01 VO

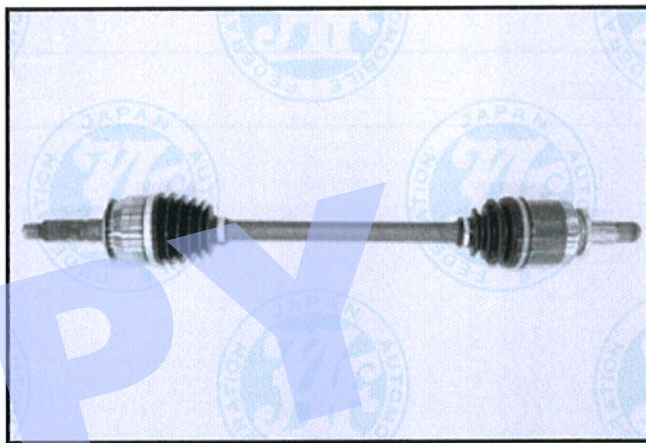
JAF 公認番号 **FN-089 VO-1/1**

Page or Extension	Article	Description	Photo n°
	606	SHAFTS Front transversal half shafts, type 1NF - Part number "28321ZR010" Front transversal half shafts, type 1NF Rear transversal half shafts, 1NR - Part number "28421ZR010" Rear transversal half shafts, type 1NR	<u>1402322</u> <u>1402905</u> <u>1402323</u> <u>1402906</u>

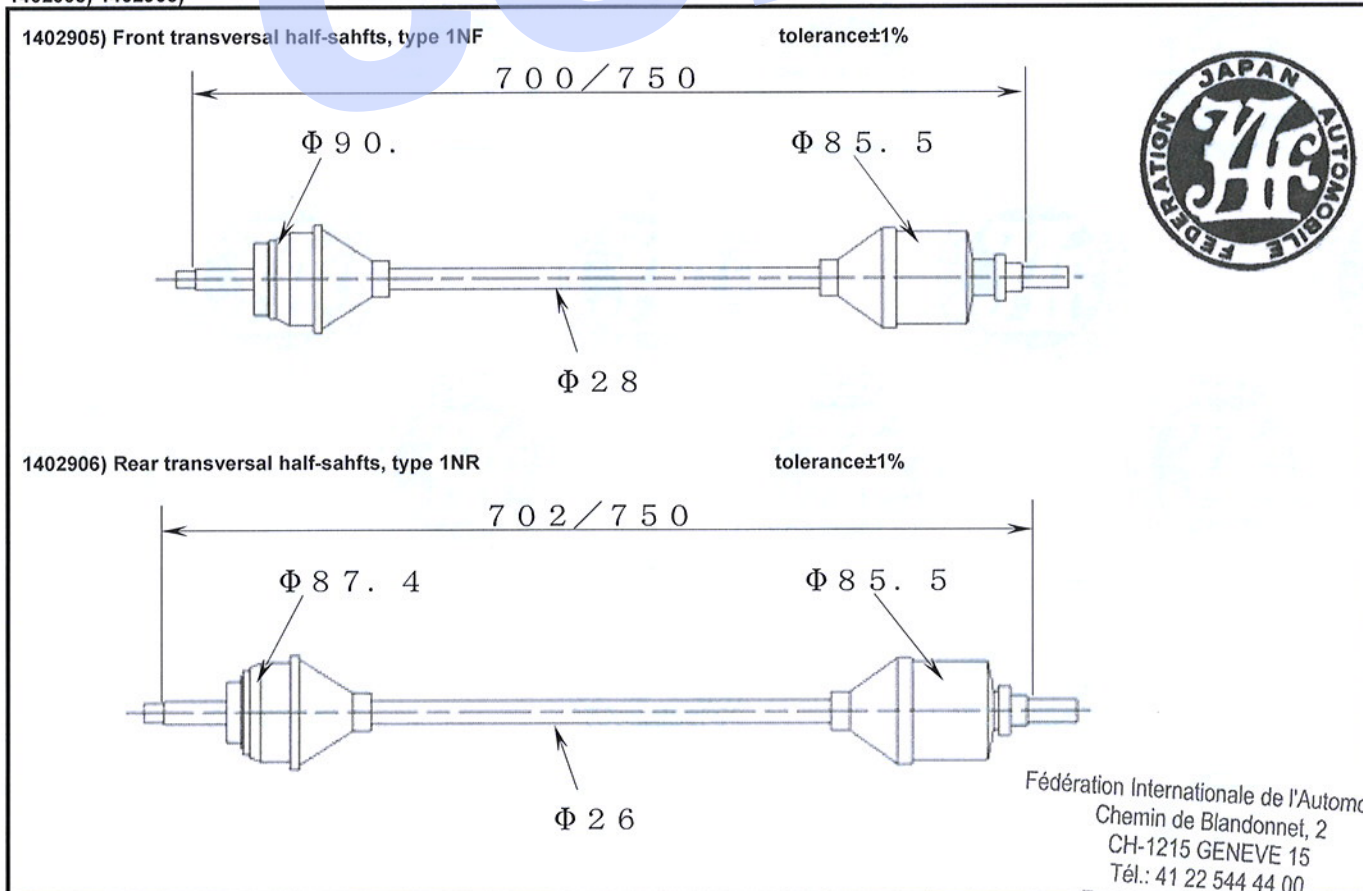
1402322)



1402323)



1402905) 1402906)



Marque **FUJI(SUBARU)**
 Make

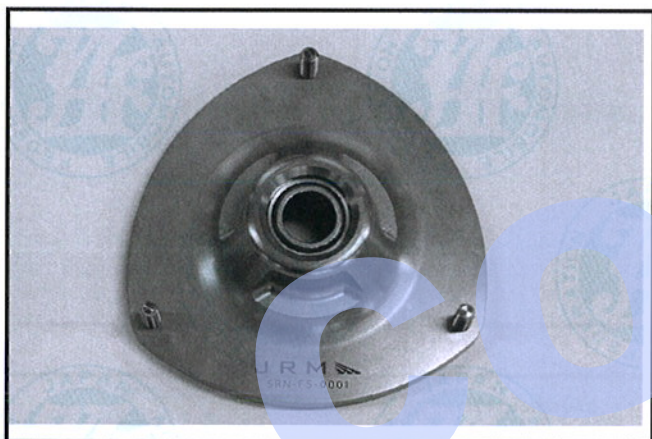
Modèle **WRX STI 2015**
 Model

Homologation N°
N-5758
 Extension N°
01/01 VO

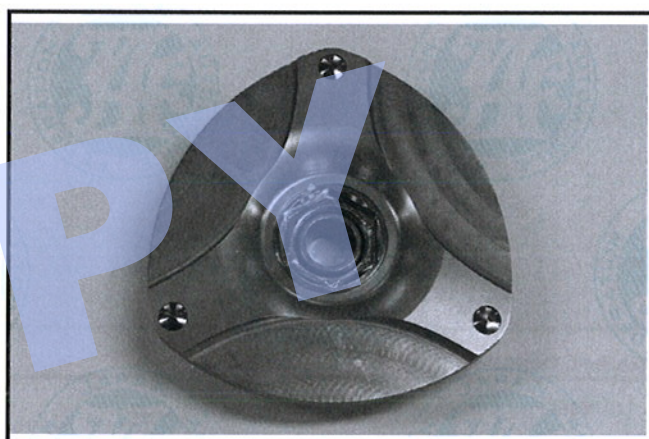
JAF 公認番号 **FN-089 VO-1/1**

Page or Extension	Article	Description	Photo n°
	701	SUSPENSION Front top mount plate, view 1 Front top mount plate, view 2 Front top mount plate The position (X,Y,Z) of the series articulation points are identical to the original Rear top mount plate, view 1 Rear top mount plate, view 2 Rear top mount plate The position (X,Y,Z) of the series articulation points are identical to the original	<u>1402324</u> <u>1402325</u> <u>1402907</u> <u>1402326</u> <u>1402327</u> <u>1402908</u>

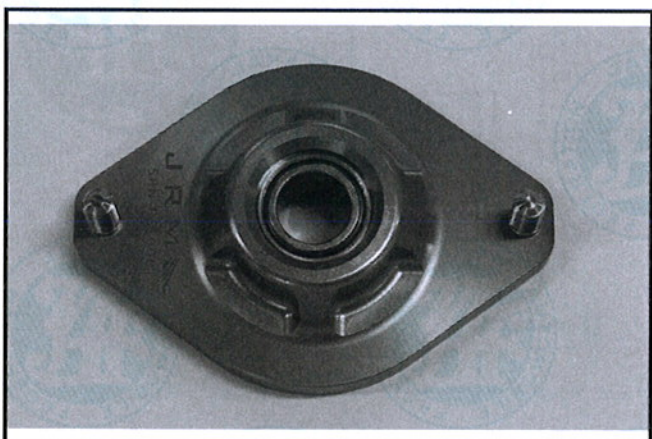
1402324)



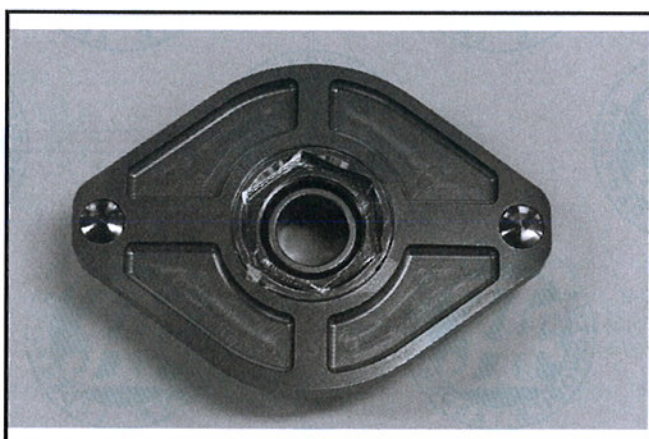
1402325)



1402326)



1402327)



Marque **FUJI(SUBARU)**
Make

Modèle **WRX STI 2015**
Model

Homologation N°

N-5758

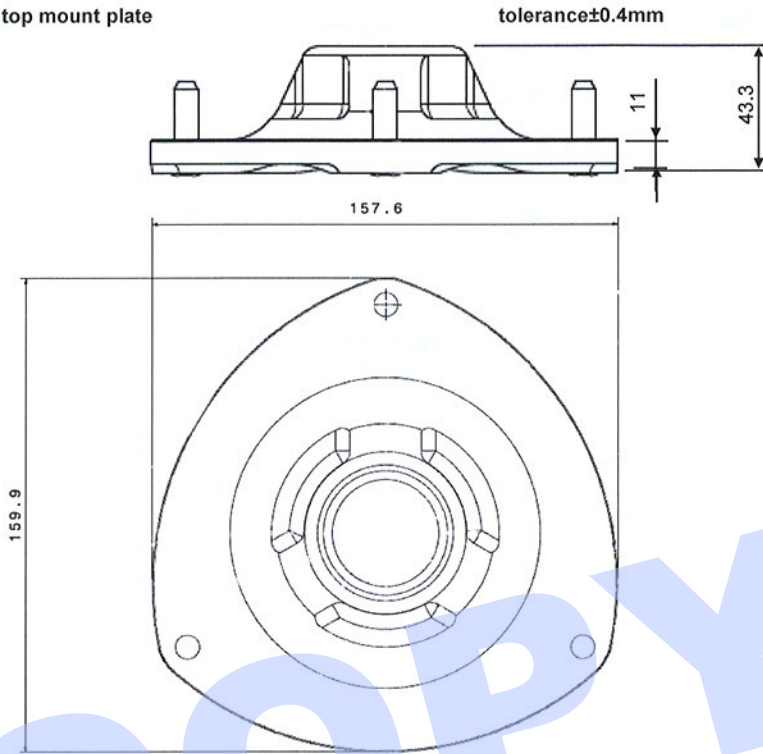
Extension N°

01/01 VO

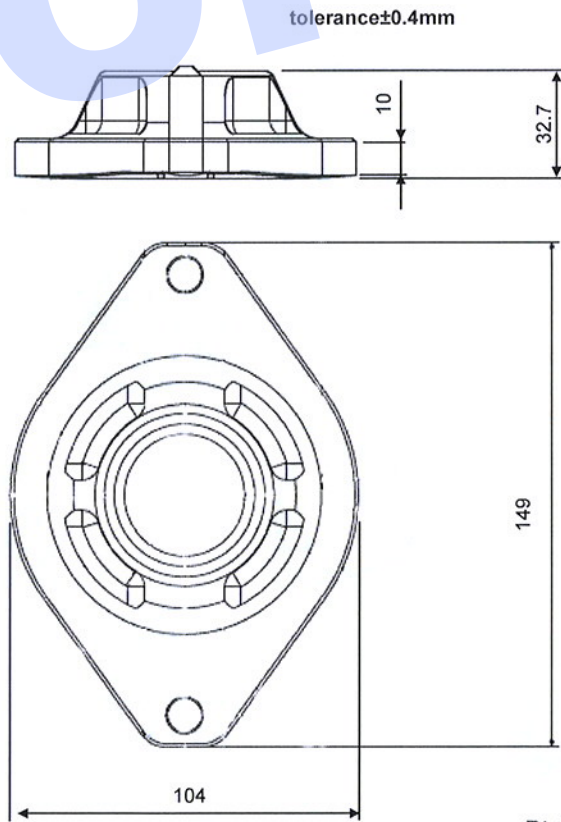
JAF 公認番号 **FN-089 VO-1/1**

DWG 1402907) 1402908)

1402907) Suspension, Front top mount plate



1402908) Suspension, Rear top mount plate



Fédération Internationale de l'Automobile
Chemin de Blandonnet, 2
CH-1215 GENEVE 15
Tél.: 41 22 544 44 00
Fax Sport: 41 22 041 44 90

Marque **FUJI(SUBARU)**
 Make

Modèle **WRX STI 2015**
 Model

Homologation N°
N-5758

Extension N°
01/01 VO

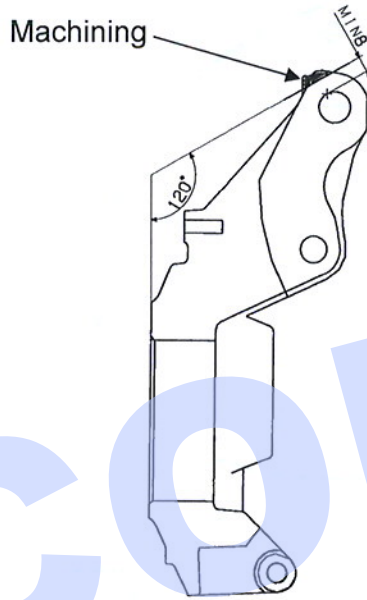
JAF 公認番号 **FN-089 VO-1/1**

Page or Extension	Article	Description	Photo n°
	701	SUSPENSION Modification for front upright Modification for rear upright	<u>1402909</u> <u>1402910</u>

DWG 1402909) 1402910)

1402909) Modification of front upright

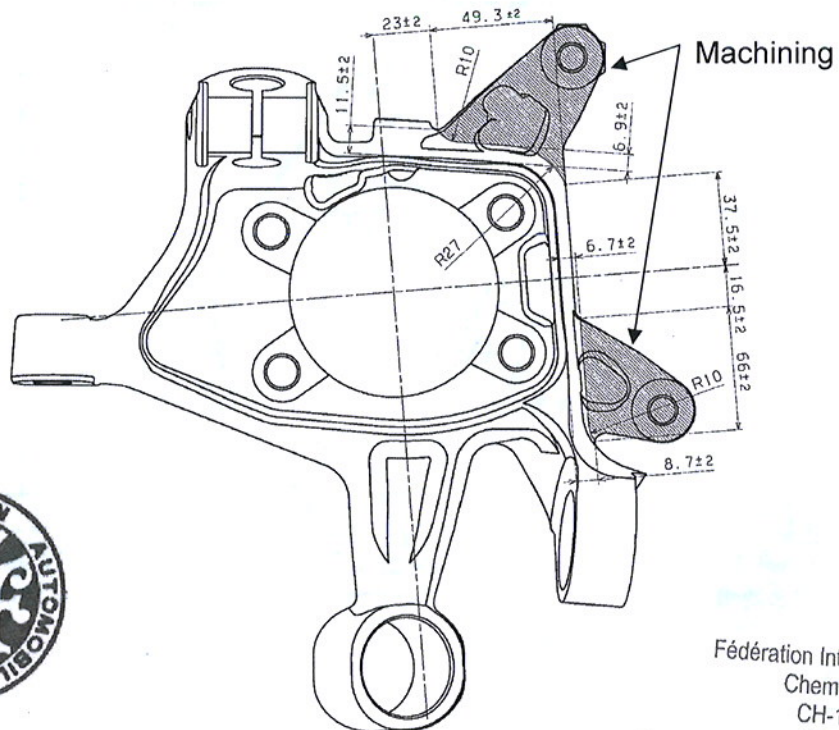
tolerance±1%



COPY

1402910) Modification of rear upright

tolerance±1%



Fédération Internationale de l'Automobile
 Chemin de Blandonnei, 2
 CH-1215 GENEVE 15
 Tél.: 41 22 544 44 00
 Fax Sport: 41 22 44 00 2014

Marque
Make **FUJI(SUBARU)**

Modèle
Model **WRX STI 2015**

Homologation N°

N-5758

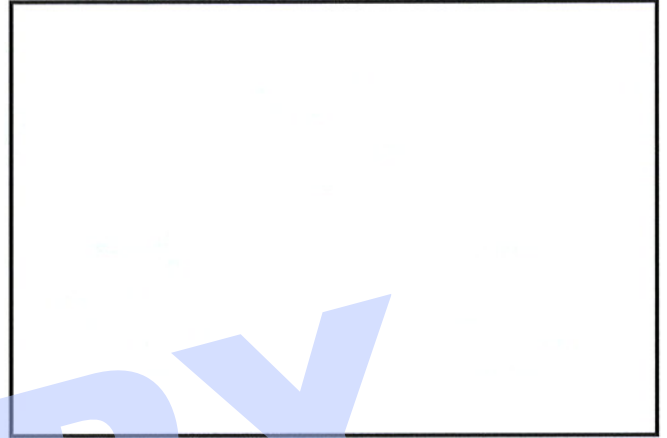
Extension N°

01/01 VO

JAF 公認番号 **FN-089 VO-1/1**

Page or Extension	Article	Description	Photo n°
	701	SUSPENSION Front lower arm mounting	<u>1402328</u>

1402328)



COPY



Marque **FUJI(SUBARU)**
 Make

Modèle **WRX STI 2015**
 Model

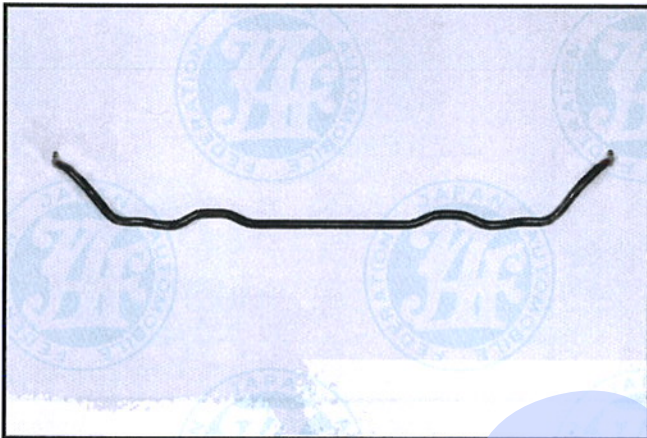
Homologation N°
N-5758

Extension N°
01/01 VO

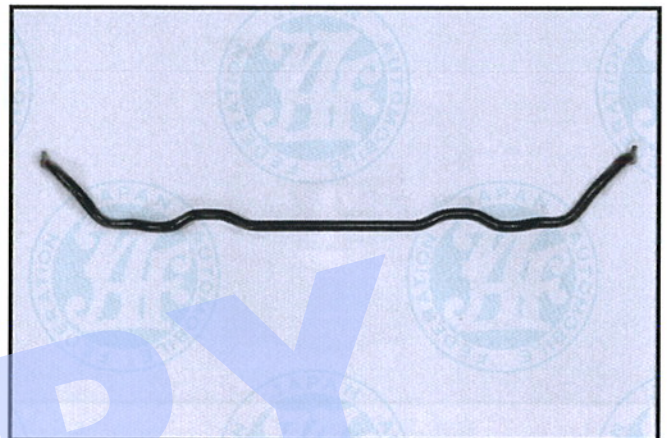
JAF 公認番号 **FN-089 VO-1/1**

Page or Extension	Article	Description	Photo n°
	706	STABILISER Front stabiliser, effective diameter 18 ± 0.4mm Front stabiliser, effective diameter 22 ± 0.4mm	<u>1402329</u> <u>1402330</u>

1402329)

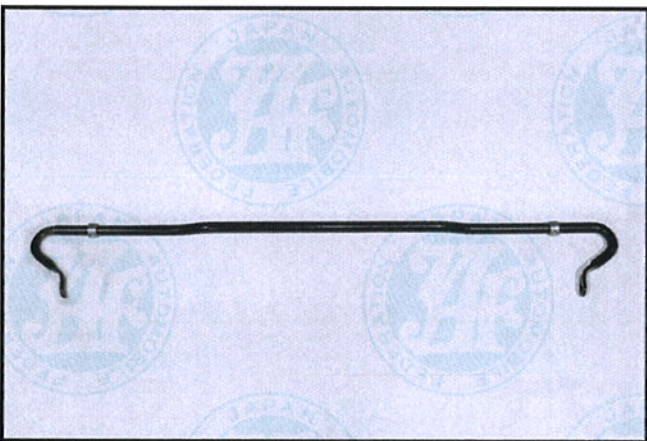


1402330)



Page or Extension	Article	Description	Photo n°
	706	STABILISER Rear stabiliser, effective diameter 18 ± 0.4mm	<u>1402331</u>

1402331)



Marque
Make **FUJI(SUBARU)**

Modèle
Model **WRX STI 2015**

Homologation N°

N-5758

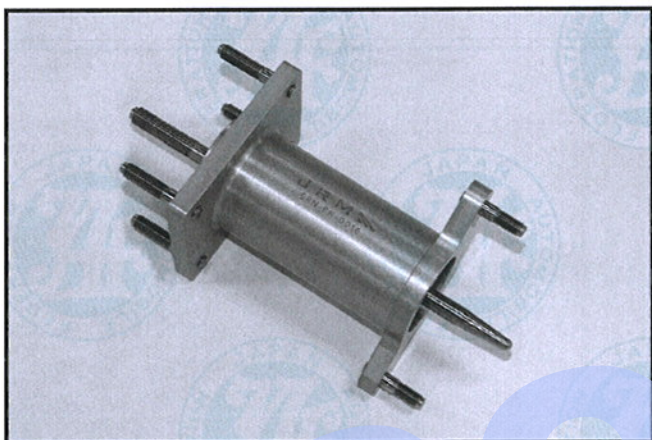
Extension N°

01/01 VO

JAF 公認番号 **FN-089 VO-1/1**

Page or Extension	Article	Description	Photo n°
	803 c)	BRAKES Brake servo Master cylinder spacer and push rod assembled, dismantled Master cylinder spacer	<u>1402333</u> <u>1402911</u>

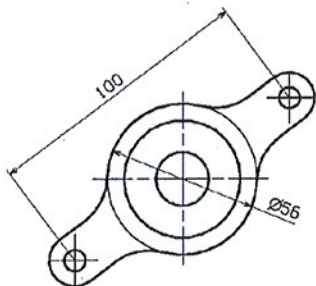
1402333)



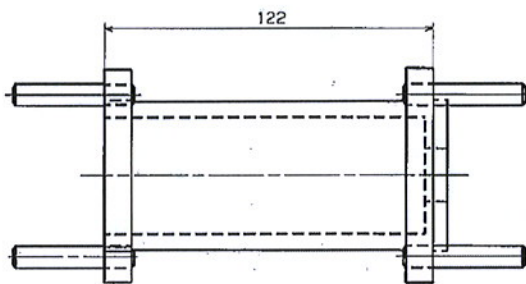
DWG 1402911)

1402911) Master cylinder spacer

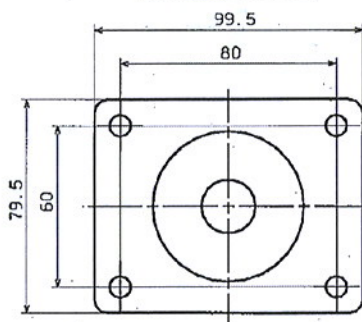
tolerance:±0.3mm



tolerance:±0.5mm



tolerance:±0.3mm



Fédération Internationale de l'Automobile
Chemin de Blandonnet, 2
CH-1215 GENEVE 15
Tél.: 41 22 544 44 00
Fax Sport: 41 22 544 44 00

Marque **FUJI(SUBARU)**
Make

Modèle **WRX STI 2015**
Model

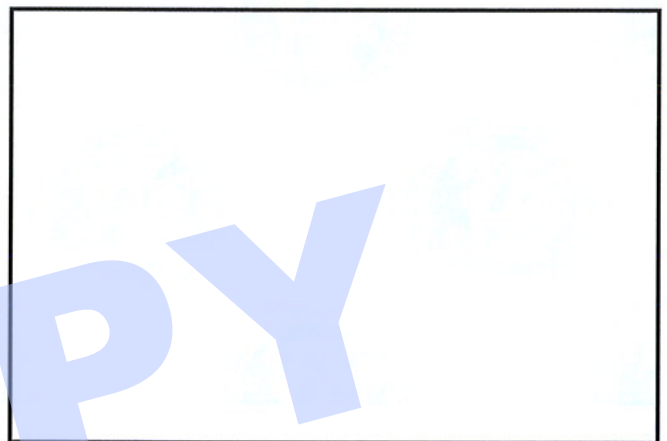
Homologation N°
N-5758

Extension N°
01/01 VO

JAF 公認番号 **FN-089 VO-1/1**

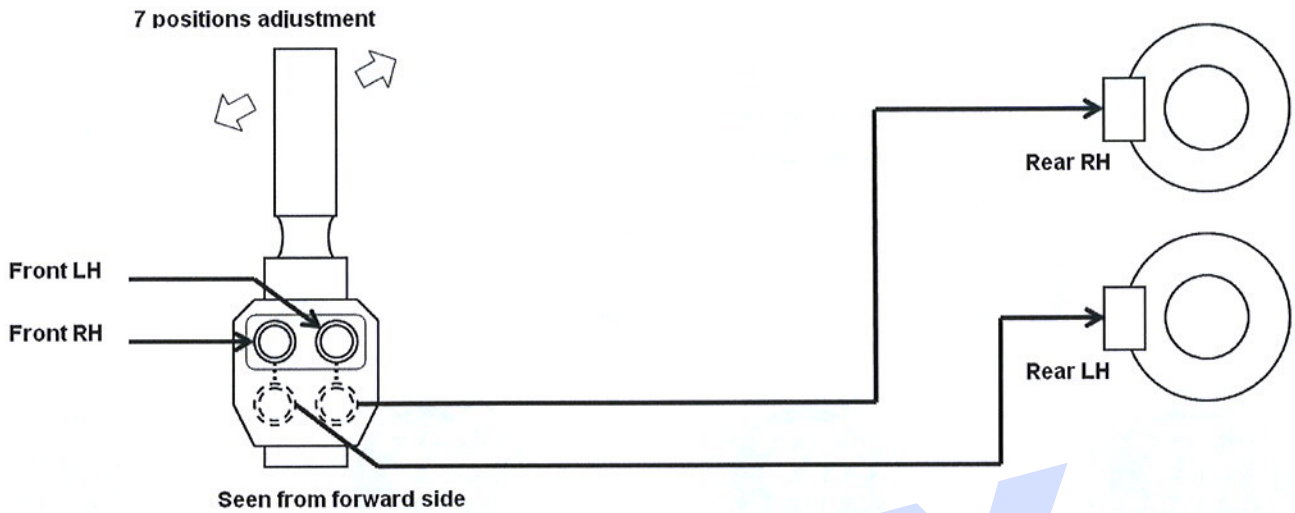
Page or Extension	Article	Description	Photo n°
	803	BRAKES Braking regulator, dismantled Braking regulator system, when using standard hand brake system Braking regulator system, with parking brake system Braking regulator with hydraulic parking brake system	<u>1402334</u> <u>1402912</u> <u>1402913</u> <u>1402914</u>

1402334)

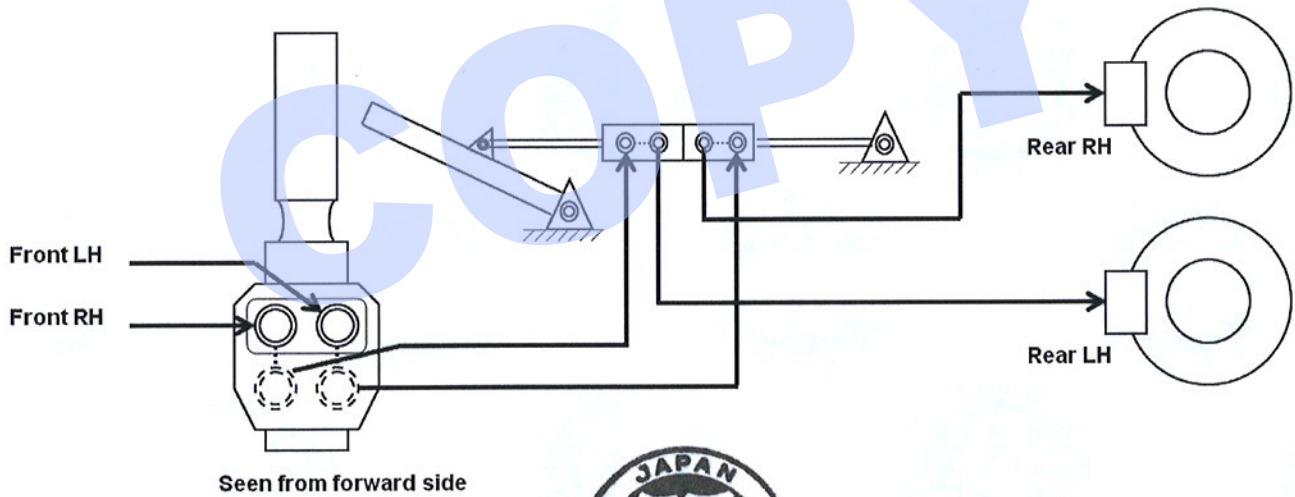


DWG 1402912) 1402913) 1402914)

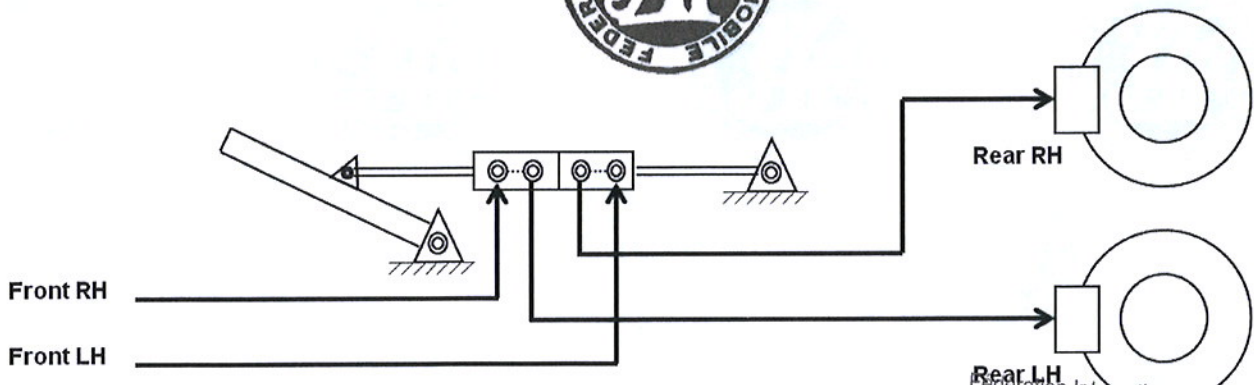
1402912) Braking regulator system with standard hand brake system



1402913) Braking regulator system, with parking brake system



1402914) Hydraulic parking brake control system



Marque **FUJI(SUBARU)**
 Make

Modèle **WRX STI 2015**
 Model

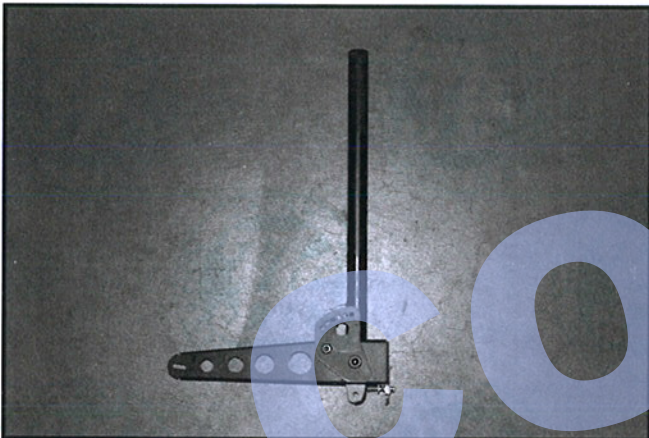
Homologation N°
N-5758

Extension N°
01/01 VO

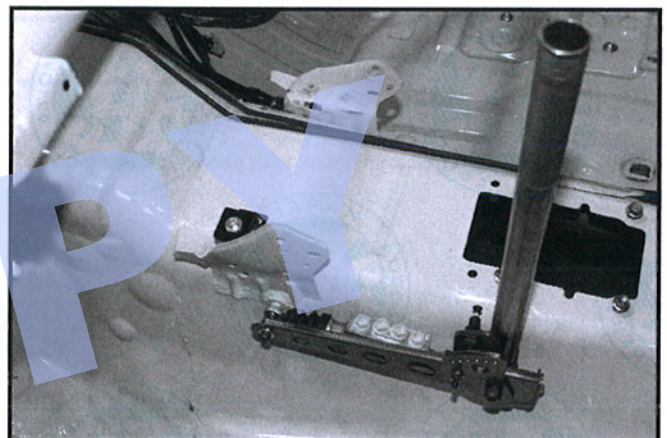
JAF 公認番号 **FN-089 VO-1/1**

Page or Extension	Article	Description	Photo n°
	803	BRAKES	
	h)	Parking brake	
	h1)	Control system : Hydraulic (Optional with original cables as a standard)	
		Parking brake, dismantled, type-1, left hand side	<u>1402335</u>
		Parking brake, mounted, type-1, left hand side	<u>1402336</u>
		Parking brake, dismantled, type-1, right hand side	<u>1402337</u>
		Parking brake, mounted, type-1, right hand side	<u>1402338</u>
		May vary mounting position	

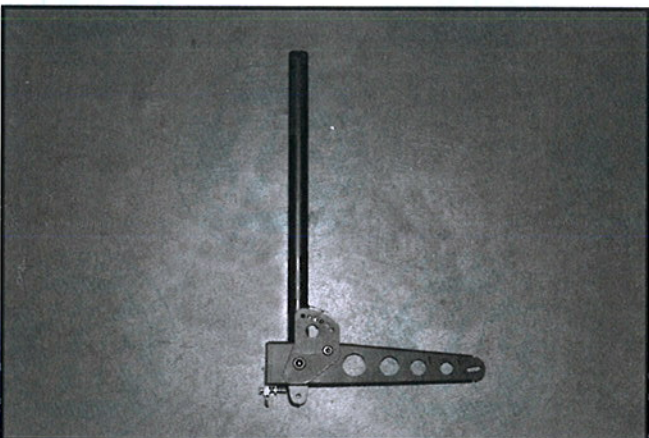
1402335)



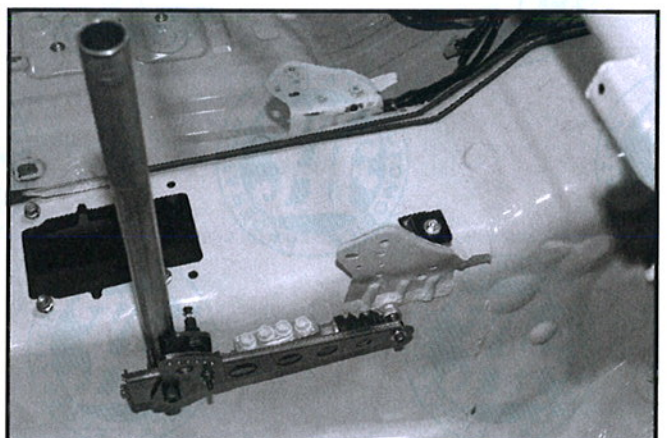
1402336)



1402337)



1402338)



Marque
Make **FUJI(SUBARU)**

Modèle
Model **WRX STI 2015**

Homologation N°

N-5758

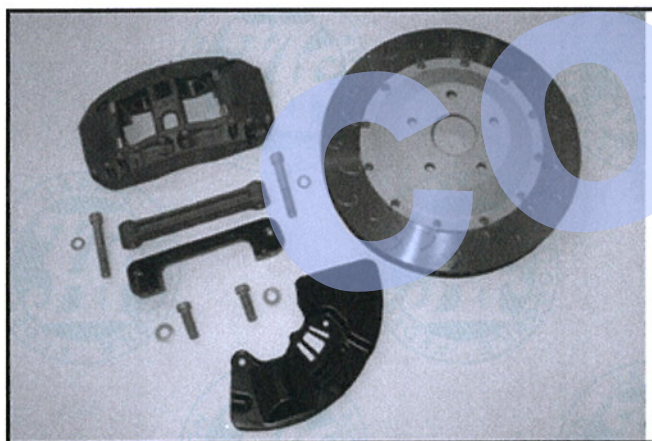
Extension N°

01/01 VO

JAF 公認番号 **FN-089 VO-1/1**

Page or Extension	Article	Description	Photo n°
	803	BRAKES RACING BRAKE PARTS Front caliper, 1NF Front disc, type 1NF-T Front brake kit, type 1NF-T Front disc, type 2NF-G Front brake kit, type 2NF-G Front guard Rear caliper, 1NR Rear disc, type 1NR Rear brake kit, type 1NR Rear brake kit, type 2NR Rear guard	 1402361 1402363 1402339 1402365 1402340 1402341 1402362 1402364 1402342 1402343 1402344

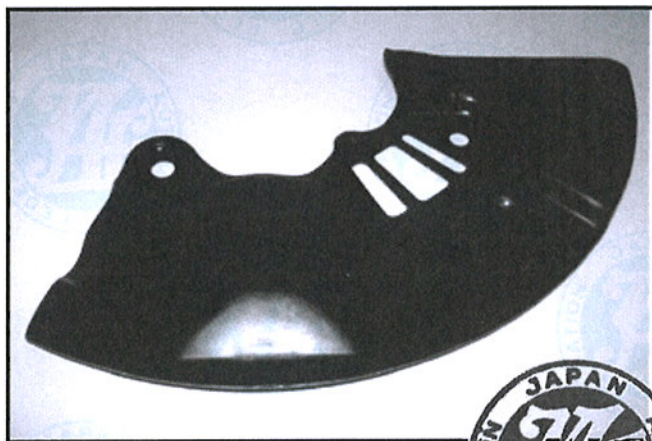
[1402339](#)



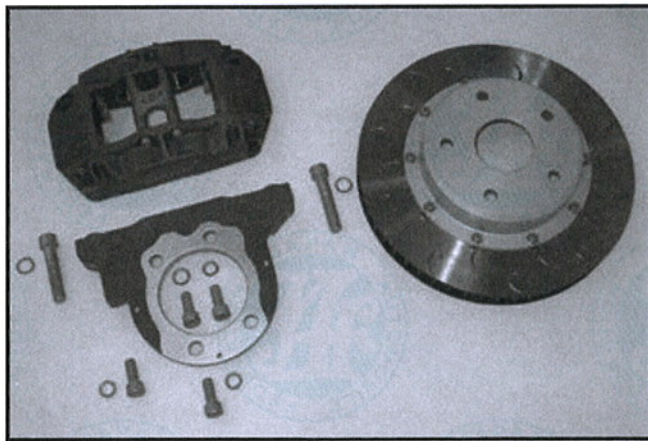
[1402340](#)



[1402341](#)



[1402342](#)



Marque **FUJI(SUBARU)**
Make

Modèle **WRX STI 2015**
Model

Homologation N°

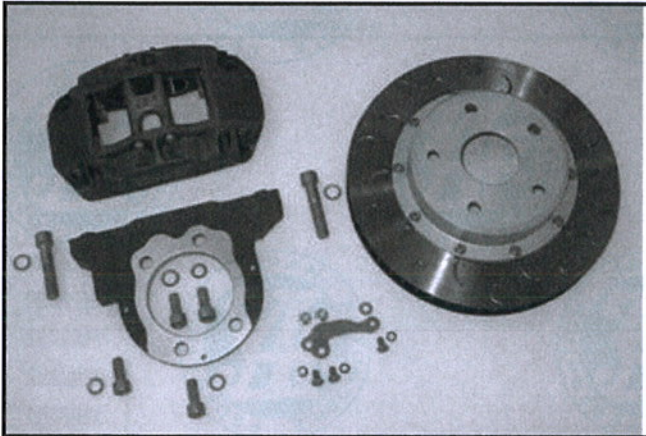
N-5758

Extension N°

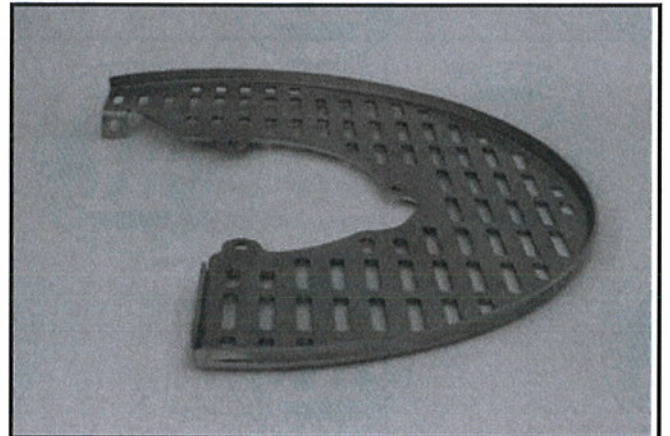
01/01 VO

JAF 公認番号 **FN-089 VO-1/1**

1402343)



1402344)



COPY



Marque
Make **FUJI(SUBARU)**

Modèle
Model **WRX STI 2015**

Homologation N°

N-5758

Extension N°

01/01 VO

JAF 公認番号 **FN-089 VO-1/1**

803. FREINS / BRAKES

	AVANT / FRONT	ARRIERE / REAR
e) Nombre de cylindres par roue <i>Number of cylinders per wheel</i>	4	4
e1) Alésage <i>Bore</i>	34.93 / 41.28 ± 0.1 mm	26.99 / 34.00 ± 0.1 mm

g) Freins à disques / Disc brakes

	AVANT / FRONT	ARRIERE / REAR
g1) Nombre de plaquettes par roue <i>Number of pads per wheel</i>	2	2
g2) Nombre d'étriers par roue <i>Number of calipers per wheel</i>	1	1
g3) Matériau des étriers <i>Caliper material</i>	ALUMINIUM ALLOY	ALUMINIUM ALLOY
g4) Epaisseur du disque neuf <i>Thickness of new disc</i>	N/A ±1 mm	N/A ±1 mm
g5) Diamètre extérieur du disque <i>External diameter of disc</i>	N/A ±1.5 mm	N/A ±1.5 mm
g6) Diamètre extérieur de frottement des plaquettes <i>External diameter of pads'rubbing surface</i>	N/A ±1.5 mm	N/A ±1.5 mm
g7) Diamètre intérieur de frottement des plaquettes <i>Internal diameter of pads'rubbing surface</i>	N/A ±1.5 mm	N/A ±1.5 mm
g8) Longueur de friction hors-tout de chaque plaquette <i>Overall friction length of each pad</i>	131.3 ±1.5 mm	113.5 ±1.5 mm
g9) Disques ventilés <i>Ventilated discs</i>	Oui/Yes <input checked="" type="checkbox"/> Non/No <input type="checkbox"/>	Oui/Yes <input checked="" type="checkbox"/> Non/No <input type="checkbox"/>

1402361

Avant / Front



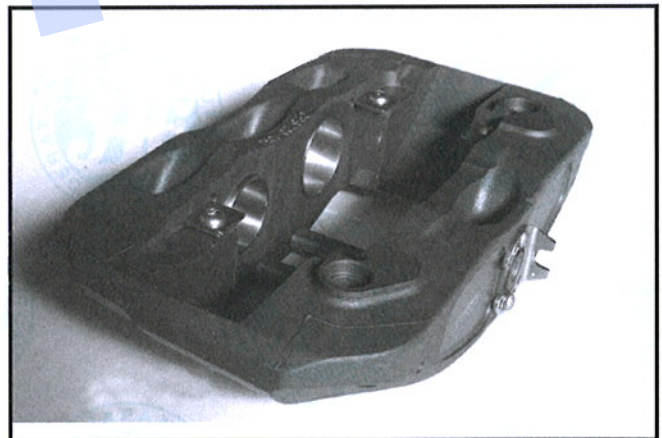
1402361

Arrière / Rear



1403303

Avant / Front



1403304

Arrière / Rear



Marque **FUJI(SUBARU)**
 Make

Modèle **WRX STI 2015**
 Model

Homologation N°
N-5758

Extension N°
01/01 VO

JAF 公認番号 **FN-089 VO-1/1**

803. FREINS / BRAKES

	AVANT / FRONT	ARRIERE / REAR
e) Nombre de cylindres par roue <i>Number of cylinders per wheel</i>	N/A	N/A
e1) Alésage <i>Bore</i>	N/A ± 0.1 mm	N/A ± 0.1 mm

g) Freins à disques / *Disc brakes*

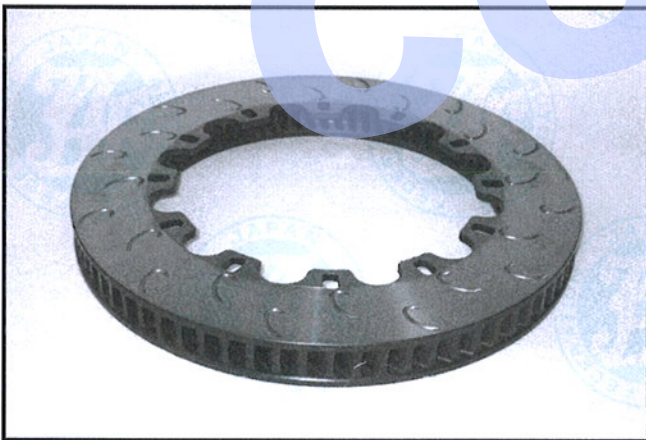
	AVANT / FRONT	ARRIERE / REAR
g1) Nombre de plaquettes par roue <i>Number of pads per wheel</i>	N/A	N/A
g2) Nombre d'étriers par roue <i>Number of calipers per wheel</i>	N/A	N/A
g3) Matériau des étriers <i>Caliper material</i>	N/A	N/A
g4) Epaisseur du disque neuf <i>Thickness of new disc</i>	32 ±1 mm	27 ±1 mm
g5) Diamètre extérieur du disque <i>External diameter of disc</i>	354.5 ±1.5 mm	285 ±1.5 mm
g6) Diamètre extérieur de frottement des plaquettes <i>External diameter of pads'rubbing surface</i>	354.5 ±1.5 mm	285 ±1.5 mm
g7) Diamètre intérieur de frottement des plaquettes <i>Internal diameter of pads'rubbing surface</i>	255 ±1.5 mm	197 ±1.5 mm
g8) Longueur de friction hors-tout de chaque plaquette <i>Overall friction length of each pad</i>	N/A ±1.5 mm	N/A ±1.5 mm
g9) Disques ventilés <i>Ventilated discs</i>	Oui/Yes <input checked="" type="checkbox"/> Non/No <input type="checkbox"/>	Oui/Yes <input checked="" type="checkbox"/> Non/No <input type="checkbox"/>

1402363)

Avant / Front

1402364)

Arrière / Rear



Marque
Make **FUJI(SUBARU)**

Modèle
Model **WRX STI 2015**

Homologation N°

N-5758

Extension N°

01/01 VO

JAF 公認番号 **FN-089 VO-1/1**

803. FREINS / BRAKES

e) Nombre de cylindres par roue
Number of cylinders per wheel

e1) Alésage
Bore

AVANT / FRONT		ARRIERE / REAR	
N/A		N/A	
N/A	± 0.1 mm	N/A	± 0.1 mm

g) Freins à disques / Disc brakes

g1) Nombre de plaquettes par roue
Number of pads per wheel

g2) Nombre d'étriers par roue
Number of calipers per wheel

g3) Matériau des étriers
Caliper material

g4) Epaisseur du disque neuf
Thickness of new disc

g5) Diamètre extérieur du disque
External diameter of disc

g6) Diamètre extérieur de frottement des plaquettes
External diameter of pads'rubbing surface

g7) Diamètre intérieur de frottement des plaquettes
Internal diameter of pads'rubbing surface

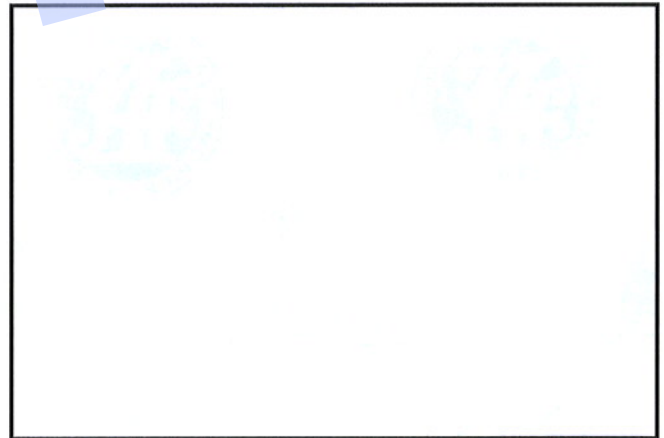
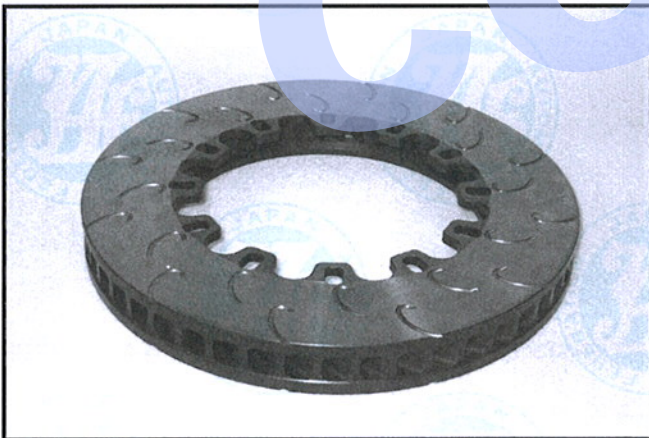
g8) Longueur de friction hors-tout de chaque plaquette
Overall friction length of each pad

g9) Disques ventilés
Ventilated discs

N/A		N/A	
N/A		N/A	
N/A		N/A	
32	±1 mm	N/A	±1 mm
295	±1.5 mm	N/A	±1.5 mm
295	±1.5 mm	N/A	±1.5 mm
193.4	±1.5 mm	N/A	±1.5 mm
N/A	±1.5 mm	N/A	±1.5 mm
Oui/Yes <input checked="" type="checkbox"/>	Non/No <input type="checkbox"/>	Oui/Yes <input type="checkbox"/>	Non/No <input type="checkbox"/>

1402365)

Avant / Front



Marque FUJI(SUBARU)
Make

Modèle WRX STI 2015
Model

Homologation N°

N-5758

Extension N°

01/01 VO

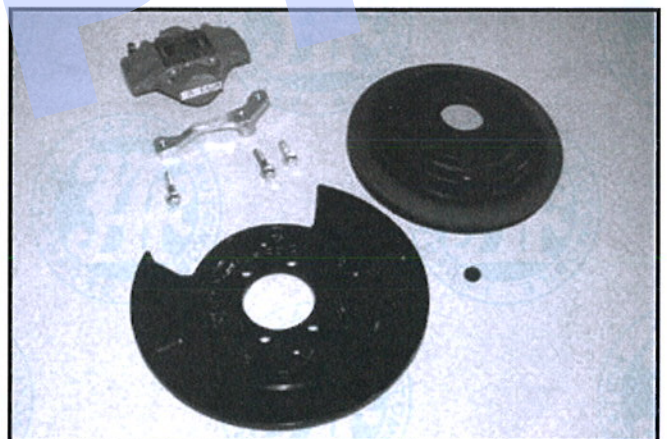
JAF 公認番号 FN-089 VO-1/1

Page or Extension	Article	Description	Photo n°
	803	BRAKES BRAKE DISC AND CALIPER, KIT - derived from different series production and it must be used in its entirety Front brake kit : Part number "26100ZR020" Front brake caliper - (included in Photo 1402345) Front brake disc - (included in Photo 1402345) Rear brake kit : Part number "26100ZR030" Rear brake caliper mounting bracket - (included in Photo 1402346) Rear brake back plate - (included in Photo 1402346) Rear brake caliper - (included in Photo1402346) Rear brake disc - (included in Photo 1402348) Braking regulator valve, view 1 Braking regulator valve, view 2 Original homologation No. A-5652 / Model and type : SUBARU IMPREZA WRX (E), GDA	 <u>1402345</u> <u>1402346</u> <u>1402347</u> <u>1402348</u> <u>1402349</u> <u>1402350</u>

1402345)



1402346)



1402347)



1402348)



Marque
Make **FUJI(SUBARU)**

Modèle
Model **WRX STI 2015**

Homologation N°

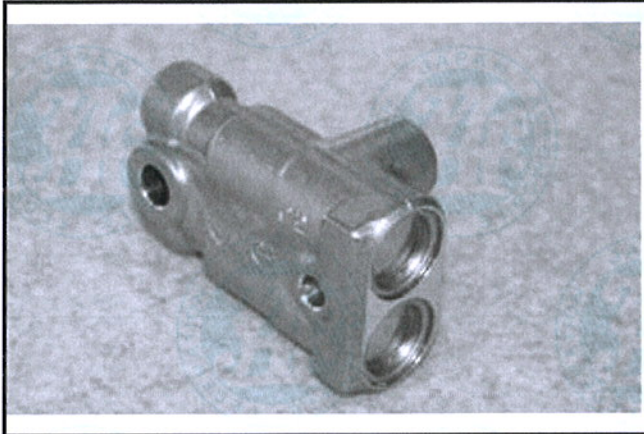
N-5758

Extension N°

01/01 VO

JAF 公認番号 **FN-089 VO-1/1**

1402349)



1402350)



803. FREINS / BRAKES

e) Nombre de cylindres par roue
Number of cylinders per wheel

e1) Alésage
Bore

AVANT / FRONT		ARRIERE / REAR	
	4		2
40.4	± 0.2 mm	38.0	± 0.2 mm

g) Freins à disques / Disc brakes

g1) Nombre de plaquettes par roue
Number of pads per wheel

g2) Nombre d'étriers par roue
Number of calipers per wheel

g3) Matériau des étriers
Caliper material

g4) Epaisseur du disque neuf
Thickness of new disc

g5) Diamètre extérieur du disque
External diameter of disc

g6) Diamètre extérieur de frottement des plaquettes
External diameter of pads'rubbing surface

g7) Diamètre intérieur de frottement des plaquettes
Internal diameter of pads'rubbing surface

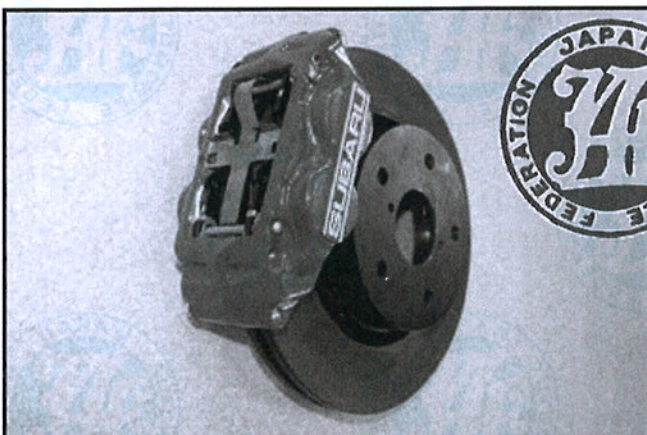
g8) Longueur de friction hors-tout de chaque plaquette
Overall friction length of each pad

g9) Disques ventilés
Ventilated discs

AVANT / FRONT		ARRIERE / REAR	
	2		2
	1		1
	STEEL		ALUMINIUM ALLOY
24	±1 mm	18	±1 mm
294	±1.5 mm	290	±1.5 mm
292	±1.5 mm	288	±1.5 mm
197	±1.5 mm	216	±1.5 mm
116	±1.5 mm	71.8	±1.5 mm
Oui/Yes <input checked="" type="checkbox"/>	Non/No <input type="checkbox"/>	Oui/Yes <input checked="" type="checkbox"/>	Non/No <input type="checkbox"/>

1402366)

Avant / Front



1402367)

Arrière / Rear



Marque **FUJI(SUBARU)**
 Make

Modèle **WRX STI 2015**
 Model

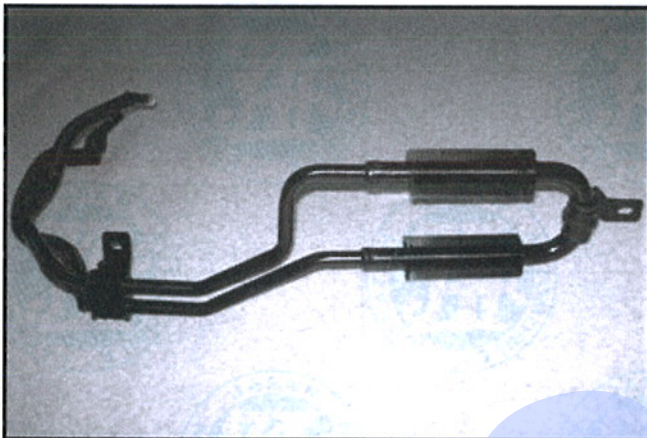
Homologation N°
N-5758

Extension N°
01/01 VO

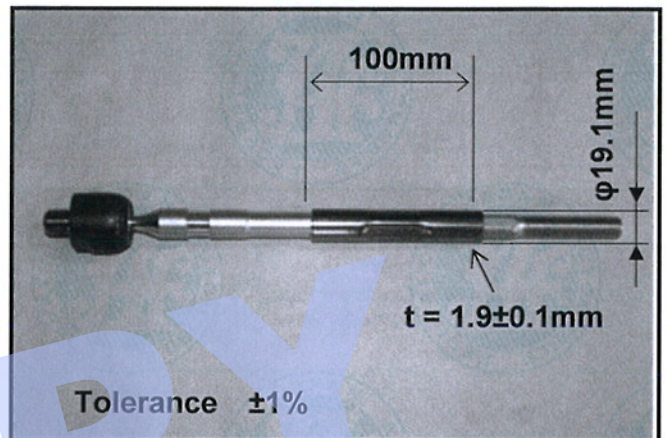
JAF 公認番号 **FN-089 VO-1/1**

Page or Extension	Article	Description	Photo n°
	804	STEERING Oil cooler Steering rod with reinforcement	<u>1402351</u> <u>1402352</u>

1402351)



1402352)



Page or Extension	Article	Description	Photo n°
	901	INTERIOR Seat mounting tube, Left hand side Material : Steel Tube diameter : 38mm / Tube thickness : 2.0mm or Tube diameter : 40mm / Tube thickness : 2.0mm Seat mounting tube, Right hand side Material : Steel Tube diameter : 38mm / Tube thickness : 2.0mm or Tube diameter : 40mm / Tube thickness : 2.0mm	<u>1402353</u> <u>1402354</u>



1402353)



1402354)



Marque
Make **FUJI(SUBARU)**

Modèle
Model **WRX STI 2015**

Homologation N°

N-5758

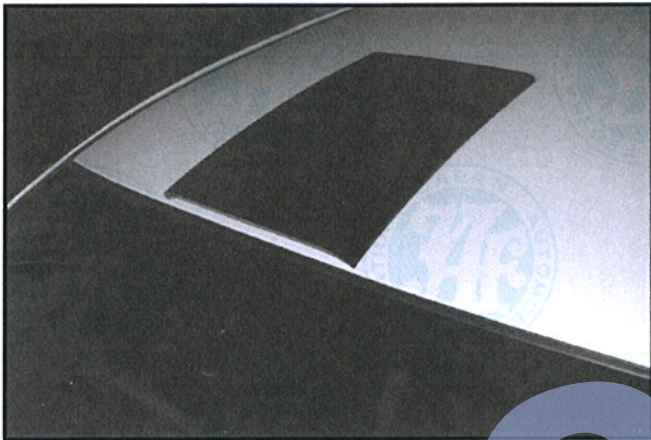
Extension N°

01/01 VO

JAF 公認番号 **FN-089 VO-1/1**

Page or Extension	Article	Description	Photo n°
	804	EXTERIOR Roof ventilator	<u>1402355</u> <u>1402915</u>

1402355



Marque **FUJI(SUBARU)**
Make

Modèle **WRX STI 2015**
Model

Homologation N°

N-5758

Extension N°

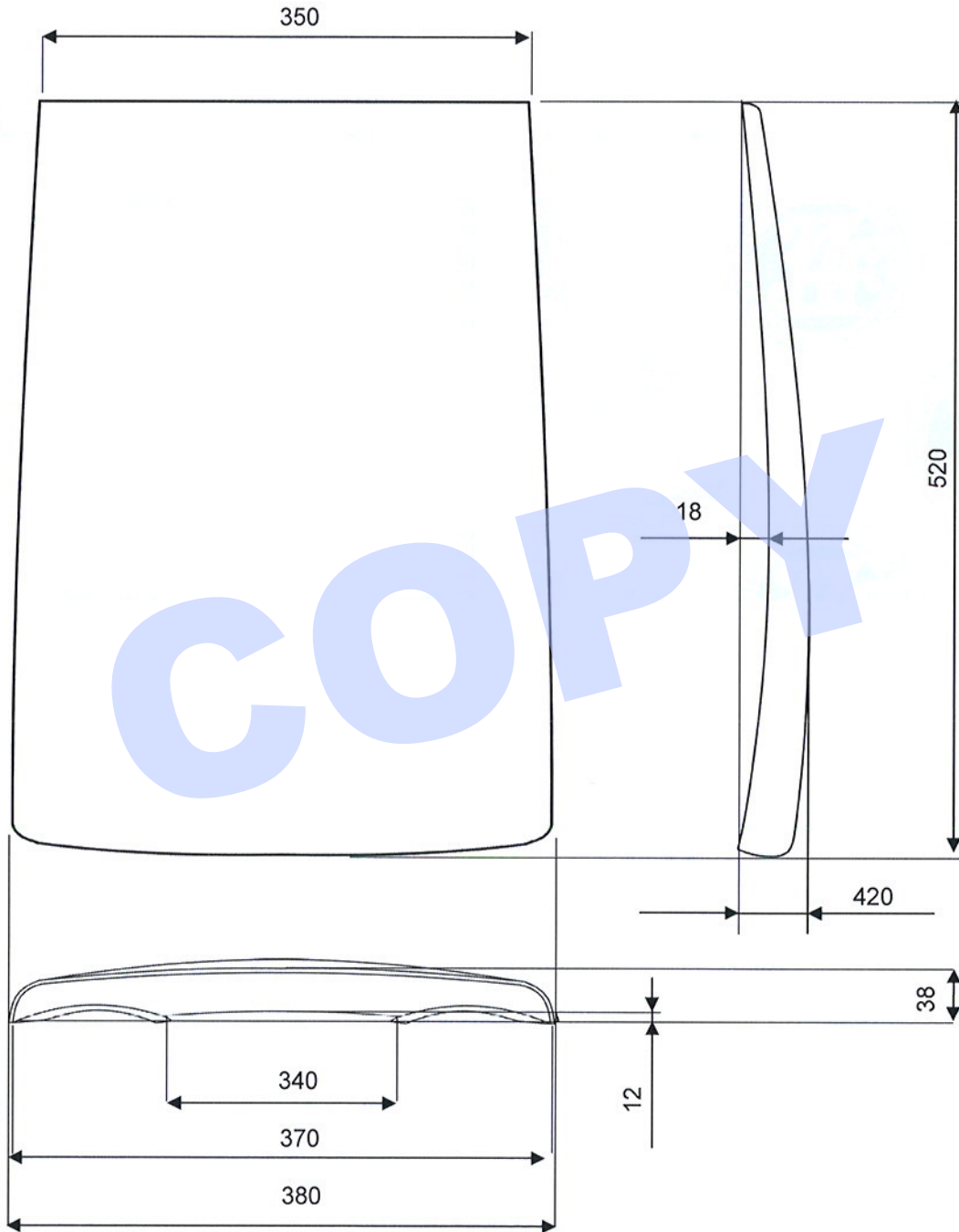
01/01 VO

JAF 公認番号 **FN-089 VO-1/1**

DWG 140915)

0911914) Roof ventilator

tolerance $\pm 5\%$



Fédération Internationale de l'Automobile
Chemin de Blandonnet, 2
CH-1215 GENEVE 15
Tél.: 41 22 544 44 00
Fax Sport: 41 22 544 44 99

Marque
Make **FUJI(SUBARU)**

Modèle
Model **WRX STI 2015**

Homologation N°

N-5758

Extension N°

01/01 VO

JAF 公認番号 **FN-089 VO-1/1**

Page or Extension	Article	Description	Photo n°
	334	ENGINE TURBO CHARGING Original model: Homologtion No. A-5732	

334. SURALIMENTATION / TURBOCHARGING

a) Marque et type du turbocompresseur
Make and type of the turbocharger

IHI , RH

b) Carter de turbine
Turbine housing

b1) Nombre d'entrées des gaz d'échappement
Number of exhaust gas entries

2

b2) Matériau
Material

CAST-IRON

c) Roue de turbine
Turbine wheel

c1) Matériau
Material

NICKEL/CHROME

c2) Nombre d'aubes
Number of blades

11

c3) Hauteur(s) des aubes
Height(s) of blades

22.8

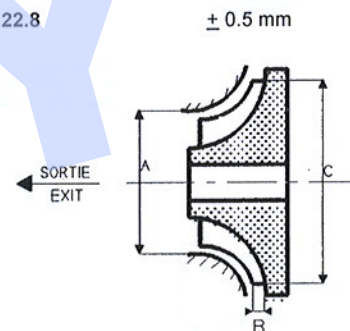
c4) Cotes A, B, C, selon le schéma
Dimensions A, B, C, according to the sketch

A = 49.1 ± 0.4 mm

B = 9.4 ± 0.5 mm

C = 53.0 (when it is new) ± 0.3 mm

53.4 (when it is after used) ± 0.3 mm



Oui / Yes

Non / No

d) Carter de compression
Impeller housing

d1) Nombre d'entrées d'air (mélange)
Number of air entries (mixture)

1

d2) Matériau
Material

ALUMINIUM ALLOY

e) Roue de compression
Impeller wheel

e1) Matériau
Material

ALUMINIUM ALLOY

e2) Nombre d'aubes
Number of blades

12

e3) Hauteur(s) des aubes
Height(s) of blades

6 blades of 24.1 ± 0.5 mm

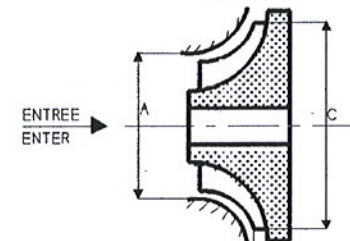
6 blades of 14.1 ± 0.5 mm

e4) Cotes A, B, C, selon le schéma
Dimensions A, B, C, according to the sketch

A = 47.1 ± 0.4 mm

B = 5.6 ± 0.5 mm

C = 60.0 ± 0.4 mm



Oui / Yes

Non / No



Marque **FUJI(SUBARU)**
Make

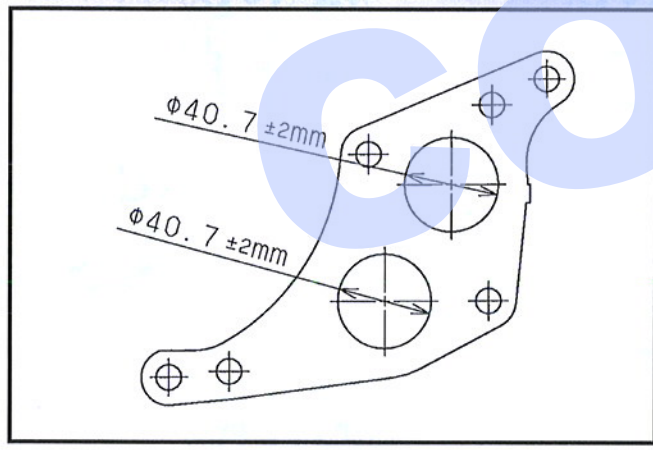
Modèle **WRX STI 2015**
Model

Homologation N°
N-5758
Extension N°
01/01 VO

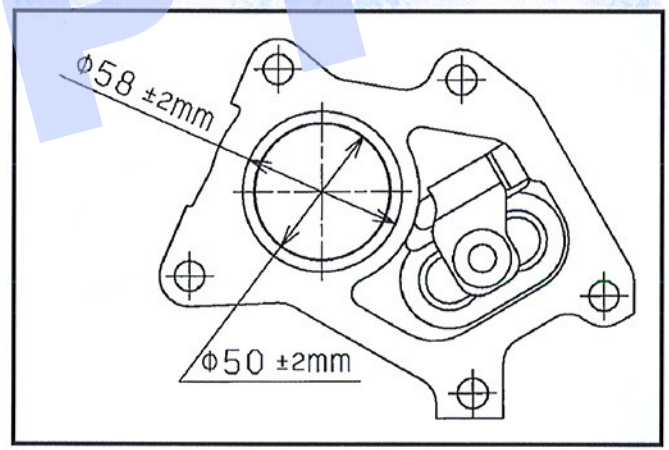
JAF 公認番号 **FN-089 VO-1/1**

- | | | | | |
|---|---|--|--|---|
| f) Régulation de la pression
Pressure regulation | f1) Type de régulation de la pression
Type of pressure adjustment | By-pass
<input type="checkbox"/> | Soupape de décharge
Relief valve
<input checked="" type="checkbox"/> | Autre
Other
<input type="checkbox"/> |
| | f2) Type de la soupape
Type of pressure adjustment | DIAPHRAGM | | |
| g) Système d'échappement
Exhaust system | g1) Dimensions intérieures des éventuels tuyaux entre collecteur et turbocompresseur
Internal dimensions of the possible pipes between manifold and turbocharger | N/A ± 2mm | | |
| h) Refroidissement de l'air d'admission
Cooling of intake air | h1) | Oui / Yes
<input checked="" type="checkbox"/> | Non / No
<input type="checkbox"/> | |
| | h2) Système
System | Air/Air
<input checked="" type="checkbox"/> | Air/Eau
Air/Water
<input type="checkbox"/> | Simple-passe
Single-flow
<input type="checkbox"/> |
| | h3) Diamètre de l'entrée d'air
Air inlet diameter | 60 × 2 | | ± 1mm |
| | h4) Diamètre de la sortie d'air
Air outlet diameter | 65 | | ± 1mm |
| i) Pression absolue de suralimentation maximum
Maximum absolute supercharging pressure | | 3000 | | mbar |

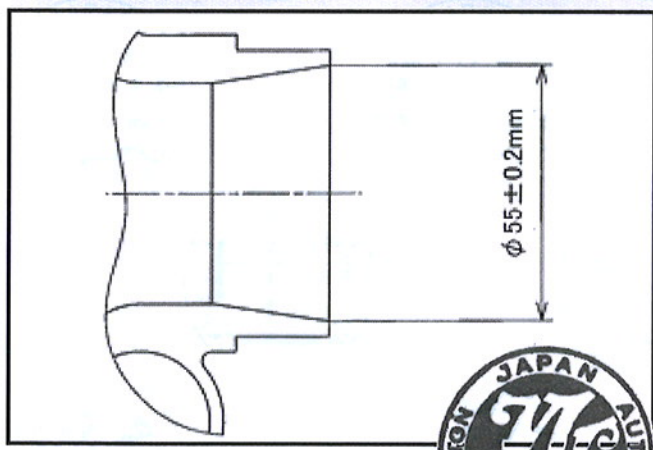
III-01) Entrée des gaz d'échappement dans carter de turbine
Exhaust gas inlet to the turbine housing



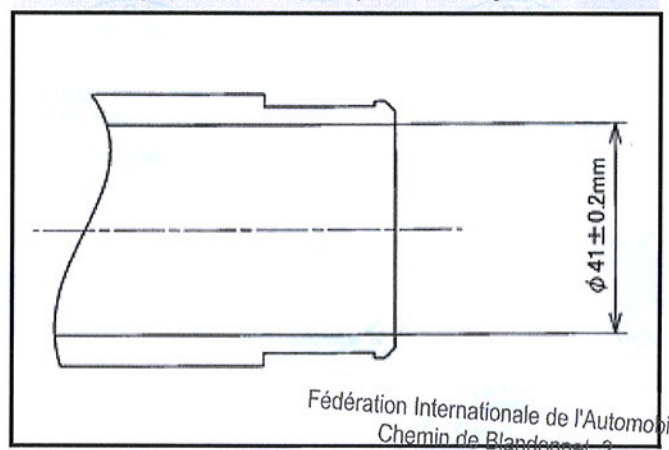
III-02) Sortie des gaz d'échappement du carter de turbine
Exhaust gas outlet from the turbine housing



III-03) Entrée d'air (mélange) dans carter de compresseur
Air (gas) inlet to the compressor housing



III-04) Sortie d'air (mélange) du carter de compresseur
Air (gas) outlet from the compressor housing



Fédération Internationale de l'Automobile
Chemin de Blandonnet, 2
CH-1215 GENEVE 15
Tél.: 41 22 544 44 00
Fax Sport: 41 22 544 44 00

Marque
Make **FUJI(SUBARU)**

Modèle
Model **WRX STI 2015**

Homologation N°

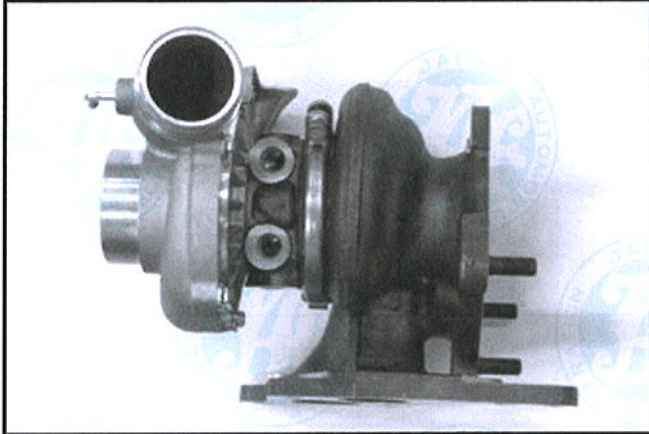
N-5758

Extension N°

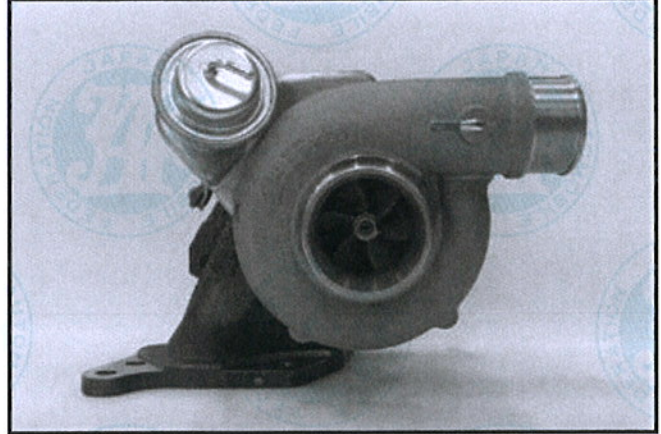
01/01 VO

JAF 公認番号 **FN-089 VO-1/1**

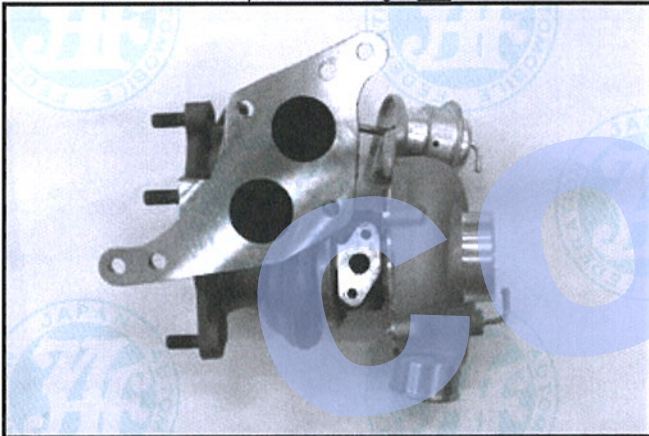
C15-1) Vue de dessus du turbocompresseur complet assemblé
Plan view of complete turbocharger unit



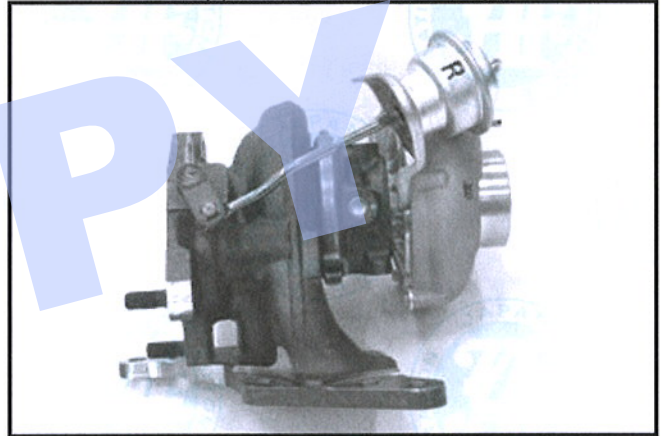
C15-2) Vue de face du turbocompresseur complet assemblé
Front view of complete turbocharger unit



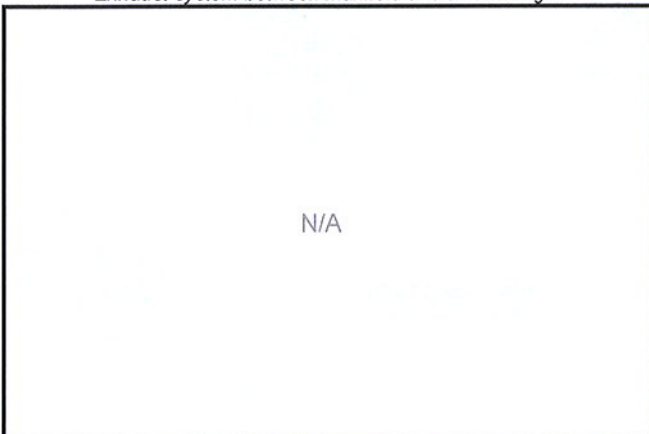
C15-3) Vue de côté du turbocompresseur complet assemblé
Side view of complete turbocharger unit



C15-4) Soupape et montage du by-pass du turbocompresseur
Valve and by-pass installation of turbocharger



C15-5) Système d'échappement entre collecteur et turbocompresseur
Exhaust system between manifold and turbocharger



Marque **FUJI(SUBARU)**
Make

Modèle **WRX STI 2015**
Model

Homologation N°

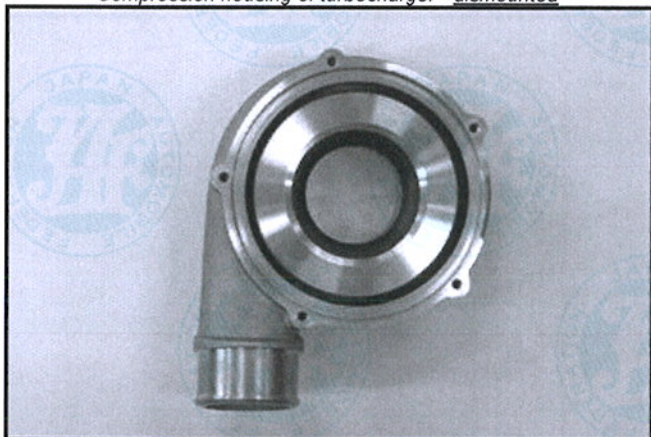
N-5758

Extension N°

01/01 VO

JAF 公認番号 **FN-089 VO-1/1**

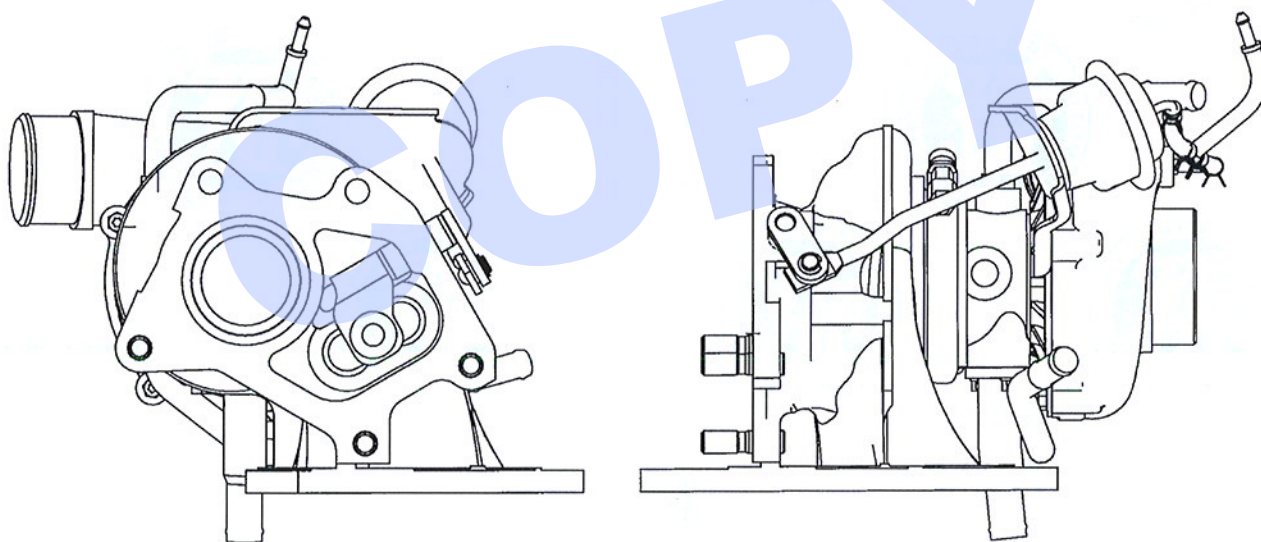
C15-6) Carter de compression du turbocompresseur - démonté
Compression housing of turbocharger - dismounted



C15-7) Carter de turbine du turbocompresseur - démonté
Turbine housing of turbocharger - dismounted



III-06) DISPOSITIF REGLANT LA PRESSION DE SURALIMENTATION
DEVICE REGULATING THE TURBOCHARGER PRESSURE



Procédure de contrôle de la pression
Procedure for checking the pressure

PRESSURE CORRESPONDING TO AN AXIAL DISPLACEMENT OF THE WASTE GATE
CONTROL ROD OF 6.0mm Standard pressure $0.85 \pm 0.08\text{bar}$



Marque **FUJI(SUBARU)**
 Make

Modèle **WRX STI 2015**
 Model

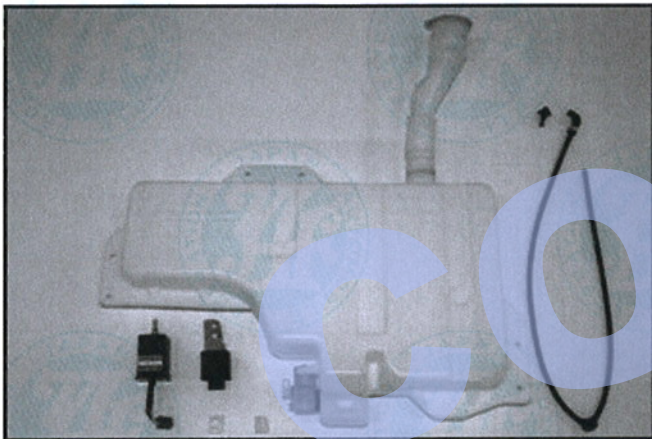
Homologation N°
N-5758

Extension N°
01/01 VO

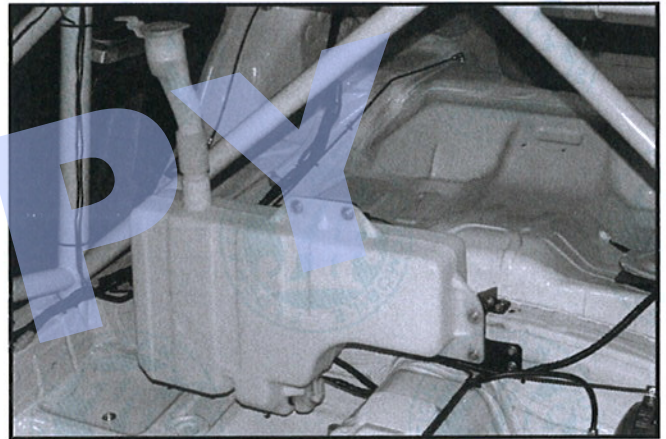
JAF 公認番号 **FN-089 VO-1/1**

Page or Extension	Article	Description	Photo n°
	334	<p>INTERCOOLER WATER SPRAY SYSTEM</p> <p>Intercooler spray kit</p> <p>Water tank mounting type 1 R - behind the seat, RH - Brackets may vary</p> <p>Water tank mounting type 1 L - behind the seat, LH - Brackets may vary</p> <p>Water tank mounting type 2 R - beside rear door, RH - Brackets may vary</p> <p>Water tank mounting type 2 L - beside rear door, LH - Brackets may vary</p> <p>Intercooler water spray system</p> <p>Water tank location : between the crew and the rear suspension top mount</p> <p>System is not connected to the ECU.</p>	<p>1402356</p> <p>1402916</p> <p>1402357</p> <p>1402358</p> <p>1402359</p> <p>1402360</p>

[1402356](#)



[1402357](#)



[1402358](#)



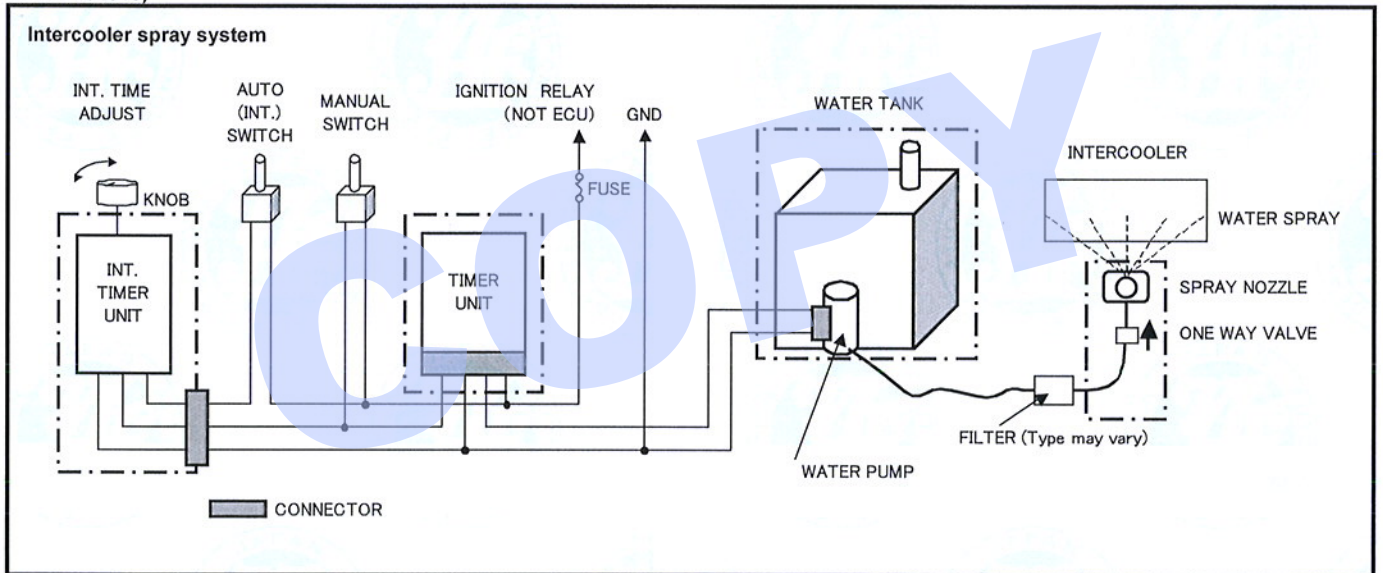
[1402359](#)



1402360)



DWG 1402916)



- [---] The parts included in the kit
 * INT. TIMER UNIT
 * TIMER UNIT
 * CONNECTOR FOR THE TIMER UNIT
 * WATER TANK (Tank Capacity is 12.6 ± 1Liter)
 * WATER PUMP
 * CONNECTOR FOR THE WATER PUMP
 * ONEWAY VALVE with HOSE
 * SPLAY NOZZLE

